



**CORRESPONDENCE COVER SHEET
WASTE PERMITS DIVISION
TEXAS COMMISSION ON ENVIRONMENTAL QUALITY**

Date: 7 March 2025
 Facility Name: Calaveras Plant Site
 Permit or Registration No.: CCR102

Nature of Correspondence:
 Initial/New
 Response/Revision*

*If Response/Revision, please provide previous TCEQ Tracking No.: 27214483

(Previous TCEQ Tracking No. can be found in the Subject line of the TCEQ's response letter to your original submittal.)

This cover sheet should accompany all correspondences submitted to the Waste Permits Division and should be affixed to the front of your submittal as a cover page. Please check the appropriate box for the type of correspondence being submitted. For questions regarding this form, please contact the Waste Permits Division at (512) 239-2335.

Table 1 - Municipal Solid Waste

APPLICATIONS	REPORTS and RESPONSES
<input type="checkbox"/> New Notification	<input type="checkbox"/> Closure Report
<input type="checkbox"/> New Permit (including Subchapter T)	<input type="checkbox"/> Groundwater Alternate SRC Demonstration
<input type="checkbox"/> New Registration (including Subchapter T)	<input type="checkbox"/> Groundwater Corrective Action
<input type="checkbox"/> Major Amendment	<input type="checkbox"/> Groundwater Monitoring Report
<input type="checkbox"/> Minor Amendment	<input type="checkbox"/> Groundwater Statistical Evaluation
<input type="checkbox"/> Limited Scope Major Amendment	<input type="checkbox"/> Landfill Gas Corrective Action
<input type="checkbox"/> Notice Modification	<input type="checkbox"/> Landfill Gas Monitoring
<input type="checkbox"/> Non-Notice Modification	<input type="checkbox"/> Liner Evaluation Report
<input type="checkbox"/> Transfer/Name Change Modification	<input type="checkbox"/> Soil Boring Plan
<input type="checkbox"/> Temporary Authorization	<input type="checkbox"/> Special Waste Request
<input type="checkbox"/> Voluntary Revocation	<input type="checkbox"/> Other:
<input type="checkbox"/> Subchapter T Workplan	
<input type="checkbox"/> Other:	

Table 2 - Industrial & Hazardous Waste

APPLICATIONS	REPORTS and RESPONSES
<input type="checkbox"/> New	<input type="checkbox"/> Annual/Biennial Site Activity Report
<input type="checkbox"/> Renewal	<input type="checkbox"/> CfPT Plan/Result
<input type="checkbox"/> Post-Closure Order	<input type="checkbox"/> Closure Certification/Report
<input type="checkbox"/> Major Amendment	<input type="checkbox"/> Construction Certification/Report
<input type="checkbox"/> Minor Amendment	<input type="checkbox"/> CPT Plan/Result
<input type="checkbox"/> Class 3 Modification	<input type="checkbox"/> Extension Request
<input type="checkbox"/> Class 2 Modification	<input type="checkbox"/> Groundwater Monitoring Report
<input type="checkbox"/> Class 1 ED Modification	<input type="checkbox"/> Interim Status Change
<input type="checkbox"/> Class 1 Modification	<input type="checkbox"/> Interim Status Closure Plan
<input type="checkbox"/> Endorsement	<input type="checkbox"/> Soil Core Monitoring Report
<input type="checkbox"/> Temporary Authorization	<input type="checkbox"/> Treatability Study
<input type="checkbox"/> Voluntary Revocation	<input type="checkbox"/> Trial Burn Plan/Result
<input type="checkbox"/> 335.6 Notification	<input type="checkbox"/> Unsaturated Zone Monitoring Report
<input checked="" type="checkbox"/> Other: Updated Drawings for Closure of Evaporation Pond	<input type="checkbox"/> Waste Minimization Report
	<input type="checkbox"/> Other:



J.K. SPRUCE POWER PLANT EVAPORATION POND CLOSURE Bexar County, TX

MAY 2024

116817

Contract Drawings

GENERAL DRAWINGS

DWG. NO.	TITLE
CS000	COVER - INDEX
CS001	LEGEND, ABBREVIATIONS, VICINITY MAP & GENERAL NOTES
CS002	SITE PLAN

DEMOLITION DRAWINGS

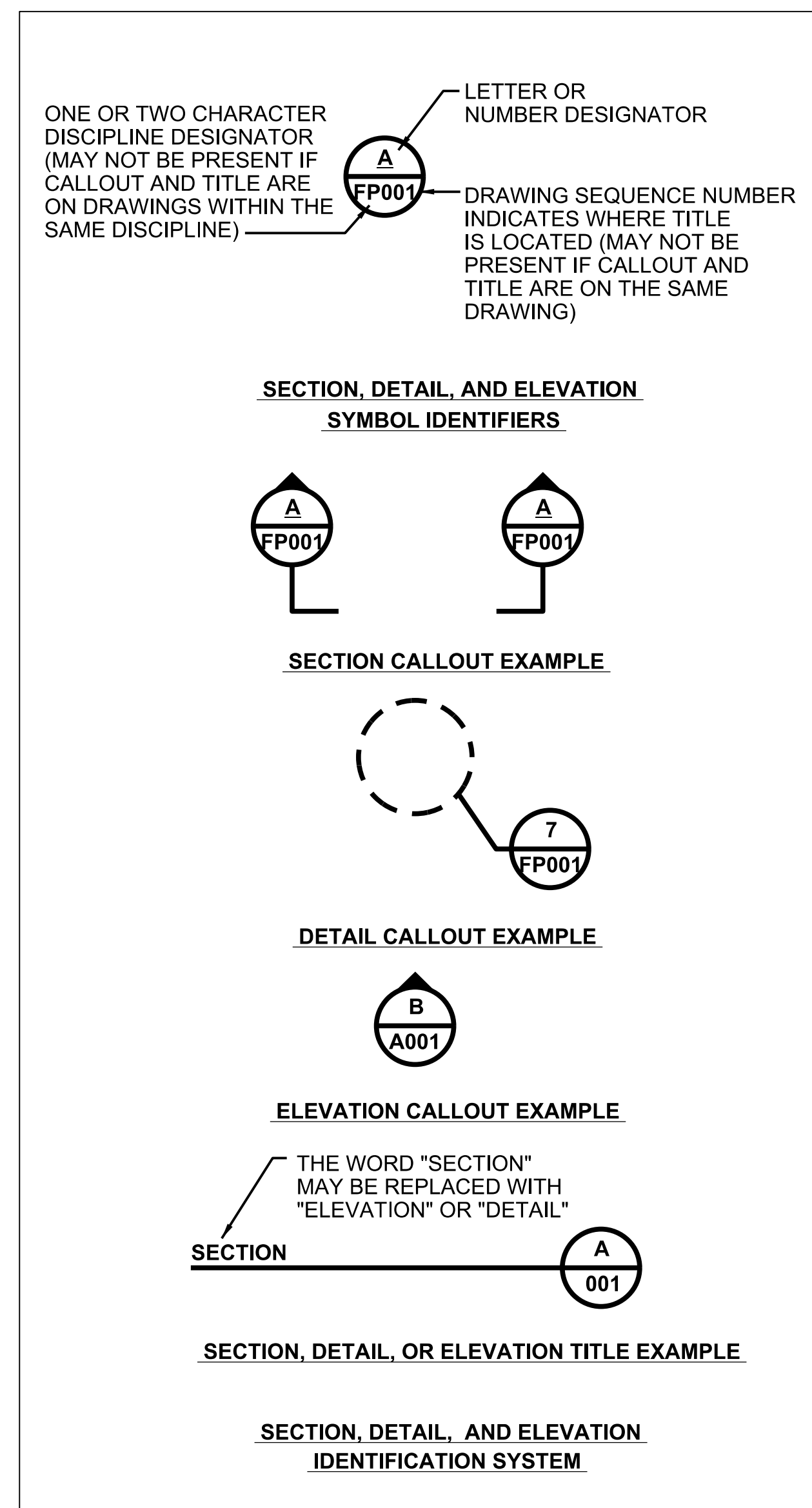
DWG. NO.	TITLE
CD000	DEMOLITION PLAN

CIVIL DRAWINGS

DWG. NO.	TITLE
CG000	KEY PLAN
CG001	EXISTING CONDITIONS
CG002	EROSION CONTROL PLAN
CG003	SURFACING PLAN
CG004	FINISH GRADING PLAN - SHEET 1
CG005	FINISH GRADING PLAN - SHEET 2
CG006	FINISH GRADING SECTIONS
CG007	DETAILS - SHEET 1
CG008	DETAILS - SHEET 2

REFERENCE DRAWINGS

DWG. NO.	TITLE
D/S-1547	ASH DISPOSAL PIT #4
D/S-1554	ASH DISPOSAL PIT #4 ELEVATION VIEWS



no.	date	by	ckd	description
0	05/31/24	AJM		INITIAL ISSUE

**BURNS
MCDONNELL**
9400 WARD PARKWAY
KANSAS CITY, MO 64114
816-333-9400
Burns & McDonnell Engineering Co., Inc.
FIRM REG. NO. F-845

EVAPORATION POND CLOSURE

Cover - Index



**FOR BID - NOT
FOR CONSTRUCTION**

THIS DOCUMENT IS RELEASED FOR
BID, UNDER THE AUTHORITY OF
RANDELL LEE SEDGWICK, P.E. 99056
ON 05/31/2024. IT IS NOT TO BE
USED FOR CONSTRUCTION PURPOSES.

NEW	EXISTING

NOTES:
1. ALL SYMBOLS ARE STANDARD WITHOUT RESPECT TO CONTRACTS.
2. TOP OR TOE OF SLOPE TO MATCH EXIST GRADE UNLESS AN ELEVATION OR SLOPE IS INDICATED.

ABBREVIATION	TERM	ABBREVIATION	TERM
@	AT	MIN	MINIMUM
AHD	AHEAD	MISC	MISCELLANEOUS
ASPH	ASPHALT	M.O.	MID-ORDINATE
AUX	AUXILIARY	MW	MONITORING WELL
BK	BACK	N	NORTH
BLDG	BUILDING	NO	NUMBER
BM	BENCHMARK	OD	OUTSIDE DIAMETER
BMCD	BURNS & MCDONNELL	OPNG	OPENING
BOT	BOTTOM	±	PLUS OR MINUS
CB	CATCH BASIN	PC	POINT OF CURVE
CDOT	COLORADO DEPARTMENT OF TRANSPORTATION	PCC	PORTLAND CEMENT CONCRETE
C TO C	CENTER TO CENTER	PI	POINT OF INTERSECTION
CL	CENTERLINE	PL	PROPERTY LINE
CHDPE	CORRUGATED HIGH DENSITY POLYETHYLENE	PSI	POUNDS PER SQUARE INCH
CJ	CONSTRUCTION JOINT	PT	POINT OF TANGENT
CMAP	CORRUGATED METAL ARCH PIPE	P.R.C.	POINT OF REVERSE CURVE
CMP	CORRUGATED METAL PIPE	P.V.C.	POINT OF VERTICAL CURVE
CONC	CONCRETE	P.V.I.	POINT OF VERTICAL INTERSECTION
CPT	CORRUGATED POLYETHYLENE TUBING	P.V.R.C.	POINT OF VERTICAL REVERSE CURVE
DBL	DOUBLE	P.V.T.	POINT OF VERTICAL TANGENT
DET	DETAIL	R	RADIUS
DI	DROP INLET	RD	ROAD
DIA	DIAMETER	RPT	RADIUS POINT
DWG	DRAWING	RCP	REINFORCED CONCRETE PIPE
ECB	EXISTING CATCH BASIN	RR	RAILROAD
EDB	ELECTRICAL DUCT BANK	RT	RIGHT
E	EAST	ROW	RIGHT-OF-WAY
EF	EACH FACE	S	SOUTH
EJ	EXPANSION JOINT	SG	SUBGRADE
EL	ELEVATION	SLP	SLOPE
EMH	ELECTRICAL MANHOLE	SHLDR	SHOULDER
EQN	EQUATION	SS	STAINLESS STEEL
EXIST	EXISTING	STD	STANDARD
EW	EACH WAY	ST	STORM SEWER
FBD	FLAT BOTTOM DITCH	STA	STATION
FLL	FLOWLINE	SWG	SWING
FO	FIBER OPTIC	T&B	TOP AND BOTTOM
GA	GAGE	TEMP	TEMPORARY
GALV	GALVANIZED	TOA	TOP OF ASPHALT
GCP	GROUND CONTROL POINT	TOC	TOP OF CONCRETE
HDPE	HIGH DENSITY POLYETHYLENE	TO GRATING	TOP OF GRATING
HORIZ	HORIZONTAL	TOM	TOP OF MANHOLE
HPT	HIGH POINT	TOP	TOP OF PAVEMENT
HWY	HIGHWAY	TOR	TOP OF RAIL
ID	INSIDE DIAMETER	TOSB	TOP OF SUBBALLAST
IF	INSIDE FACE	TOSG	TOP OF SUBGRADE
INTSCT	INTERSECTION	TYP	TYPICAL
INV	INVERT	UON	UNLESS OTHERWISE NOTED
L	LONG	UP	UTILITY POLE
LCP	LEACHATE COLLECTION PIPE	VC	VERTICAL CURVE
LF	LINEAR FEET	VERT	VERTICAL
LT	LEFT	W	WEST
MAX	MAXIMUM	W/	WITH
MH	MANHOLE	W/O	WITH OUT
		WWF	WELDED WIRE FABRIC

NOTES:
1. ALL ABBREVIATIONS ARE BURNS & MCDONNELL STANDARDS WITHOUT RESPECT TO CONTRACTS.
2. ABBREVIATIONS ARE APPLICABLE TO ALL DWGS.

EXISTING CONDITIONS NOTES:

- THE LOCATIONS OF STRUCTURES AND UNDERGROUND UTILITIES AS INDICATED HAVE BEEN OBTAINED FROM AERIAL PHOTOGRAPHS AND FIELD SURVEYS. UNDERGROUND STRUCTURES AND UTILITIES MAY BE PRESENT WHICH ARE NOT DOCUMENTED OR LOCATED.
- ALL WORK SHALL BE DONE TO THE LINES, SLOPES, THICKNESS, AND GRADES INDICATED IN THE CONTRACT DRAWINGS. MAXIMUM SLOPE SHALL BE 3H:1V UNLESS INDICATED OTHERWISE. ALL ESTABLISHED MONUMENTS, BENCHMARKS, REFERENCE POINTS, STAKES, AND OTHER CENTRAL POINTS SHALL BE CAREFULLY PRESERVED BY THE COMPANY. COMPANY SHALL NOTIFY CPS ENERGY IN WRITING OF BENCHMARKS, REFERENCE LINES, OR OTHER CONTROL POINTS WHICH MAY HAVE BEEN DISTURBED OR WHICH APPEAR TO BE OFF LINE OR GRADE.
- COMPANY SHALL FIELD-CHECK ALL EXISTING CONDITIONS AND BE THOROUGHLY FAMILIAR WITH THE SITE BEFORE ANY WORK COMMENCES. ANY DISCREPANCIES IN THE DRAWINGS SHALL BE IMMEDIATELY REPORTED TO THE ENGINEER AND CONSTRUCTION FIELD REPRESENTATIVE BEFORE ANY FURTHER WORK COMMENCES.
- COMPANY SHALL FIELD-VERIFY EXISTING STRUCTURES, UTILITIES, AND SURVEY INFORMATION, AND TAKE NECESSARY PRECAUTIONS DURING DEMOLITION AND CONSTRUCTION. COMPANY SHALL VERIFY EXISTING AND MARKED LOCATIONS OF ALL UTILITIES, INCLUDING SERVICE CONNECTIONS TO UNDERGROUND UTILITIES, PRIOR TO BEGINNING WORK. COMPANY SHALL CONTACT THE CPS ENERGY AND ALL ASSOCIATED UTILITY COMPANIES AND AGENCIES TO IDENTIFY THE LOCATION OF UTILITIES. THERE IS NO GUARANTEE, EITHER EXPRESSED OR IMPLIED, THAT THE LOCATIONS, SIZE, AND TYPE OF MATERIAL OF EXISTING UNDERGROUND UTILITIES INDICATED ARE REPRESENTATIVE OF THOSE TO BE ENCOUNTERED DURING CONSTRUCTION.
- COMPANY SHALL NOTIFY TEXAS 811 48 HOURS BEFORE PROCEEDING WITH ANY EXCAVATION.
- PRIOR TO CONSTRUCTION, THE COMPANY SHALL NOTIFY THE CPS ENERGY OF OPERATIONAL PLANS. IN THE EVENT AN UNEXPECTED UTILITY OR STRUCTURE INTERFERENCE OR CONFLICT IS ENCOUNTERED DURING CONSTRUCTION, THE COMPANY SHALL IMMEDIATELY NOTIFY THE CPS ENERGY. ANY UTILITY SERVICES OR STRUCTURES DISTURBED BY THE COMPANY'S OPERATIONS SHALL BE RESTORED IMMEDIATELY AT COMPANY'S EXPENSE TO THE SATISFACTION OF THE CPS ENERGY.
- THE COMPANY IS RESPONSIBLE FOR PROTECTING ITEMS NOT TO BE DAMAGED DURING DEMOLITION AND CONSTRUCTION. THE COMPANY SHALL REPAIR OR REPLACE DAMAGED OR DISTURBED ITEMS TO THE SATISFACTION OF THE CPS ENERGY.

GENERAL NOTES:

- COORDINATES SHOWN ARE SURFACE VALUES DISPLAYED IN U.S. SURVEY FEET, BASED ON THE NORTH AMERICAN DATUM OF 1983 (NAD83) EPOCH 2010.00 FROM THE TEXAS COORDINATE SYSTEM ESTABLISHED FOR THE SOUTH CENTRAL ZONE, WITH A SURFACE ADJUSTMENT FACTOR OF 1.00017 APPLIED. ELEVATIONS SHOWN ARE NAVD88 (GEOID 03), SURVEY PROVIDED BY PAPE-DAWSON ENGINEERS.
- COMPANY SHALL RE-ESTABLISH ALL CONTROL POINTS DISTURBED AND/OR REMOVED DURING CONSTRUCTION. CONTROL POINTS SHALL BE IN APPROXIMATE LOCATION OF THE DISTURBED CONTROL POINT AND SET BY A REGISTERED LAND SURVEYOR IN THE STATE OF TEXAS. SUBMIT ALL COORDINATES AND ELEVATIONS TO CPS ENERGY. PERMANENT BENCHMARKS SHALL NOT BE DISTURBED BY COMPANY'S OPERATIONS. NOTIFY CPS ENERGY IF PERMANENT BENCHMARK IS FOUND TO BE IN CONFLICT.
- COMPANY SHALL BE RESPONSIBLE FOR ALL MEANS AND METHODS OF CONSTRUCTION UNLESS NOTED OTHERWISE. COMPANY SHALL FURNISH ALL LABOR, EQUIPMENT, MATERIALS, AND TOOLS NECESSARY TO COMPLETELY PERFORM THE WORK IN SAFE, EXPEDITIOUS, AND WORKMANLIKE MANNER. COMPANY SHALL COORDINATE SCHEDULE OF THE WORK WITH CPS ENERGY. THE COMPANY ACCEPTS FULL RESPONSIBILITY FOR PROPER HANDLING AND INSTALLATION OF MATERIALS.
- COMPANY SHALL UNDERTAKE ALL NECESSARY MEASURES TO ENSURE SAFETY OF ALL PERSONS AND STRUCTURES AT THE PROJECT SITE AND ADJACENT TO THE PROJECT SITE. COMPANY SHALL BE RESPONSIBLE FOR ANY CLAIMS RESULTING FROM COMPANY OR SUBCOMPANY ACTIVITIES. VISITS TO THE SITE BY THE ENGINEER OR CPS ENERGY SHALL NOT RELIEVE THE COMPANY OF SUCH RESPONSIBILITY.
- THE COMPANY SHALL ACCEPT FULL RESPONSIBILITY FOR MATERIALS THROUGH PROJECT COMPLETION. COMPANY SHALL STORE MATERIALS IN A SECURE LOCATION (ON OR OFF-SITE).
- THE COMPANY SHALL BE RESPONSIBLE FOR THE PROPER SAFEGUARDING OF THE WORK AREA AND MATERIALS STORED ON THE SITE TO PREVENT THEFT, VANDALISM OR DAMAGE.
- COMPANY SHALL NOT DISTURB ADJACENT PROPERTIES UNLESS OTHERWISE SHOWN IN THESE PLANS AND UNLESS PERMISSION HAS BEEN GRANTED BY LAND CPS ENERGY AND GOVERNING AUTHORITY.
- COMPANY SHALL BE RESPONSIBLE FOR OBTAINING ALL CONSTRUCTION PERMITS REQUIRED TO PERFORM THE WORK. COMPANY SHALL PROVIDE CERTIFICATES OF INSURANCE AND OTHER DOCUMENTATION REQUIRED BEFORE PERFORMING THE WORK.
- ALL WORK SHALL BE PERFORMED IN ACCORDANCE WITH OSHA STANDARDS.
- ALL WORK SHALL BE PERFORMED IN ACCORDANCE WITH LOCAL, STATE, AND FEDERAL REGULATIONS.
- THESE NOTES AND OTHER DRAWING NOTES CONTAINED HERewith ARE PROVIDED TO MEET SPECIFIC REQUIREMENTS AND TO SUPPLEMENT THE CONTRACT DOCUMENTS. THESE NOTES NEITHER REPLACE NOR OVERRIDE THE PROVISIONS AND REQUIREMENTS OF THE CONTRACT DOCUMENTS.

- UNKNOWN SITUATIONS OR CONDITIONS NOT COVERED IN THE CONTRACT DOCUMENTS MAY ARISE DURING CONSTRUCTION. IT IS THE RESPONSIBILITY OF THE COMPANY TO NOTIFY THE CPS ENERGY IF SUCH A CONDITION IS IDENTIFIED.
- ALL DIMENSIONS, ELEVATIONS, AND CONDITIONS SHALL BE VERIFIED IN THE FIELD BY THE COMPANY AND ANY DISCREPANCIES SHALL BE BROUGHT TO THE ATTENTION OF THE CPS ENERGY FOR CLARIFICATION BEFORE PROCEEDING WITH THE AFFECTED PART OF WORK.
- THE COMPANY SHALL VISIT THE SITE AND FAMILIARIZE HIMSELF/HERSELF WITH THE EXISTING CONDITIONS BEFORE SUBMITTING HIS/HER BID.
- FEATURES NOT FULLY SHOWN OR CALLED FOR ON THE CONTRACT DRAWINGS OR SPECIFICATIONS, THEIR CONSTRUCTION SHALL BE OF THE SAME CHARACTER AS FOR SIMILAR CONDITIONS THAT ARE SHOWN OR CALLED FOR, SUBJECT TO THE APPROVAL OF THE ENGINEER AND THE CPS ENERGY.
- ONCE THE WORK HAS BEEN STARTED, THE COMPANY SHALL COMPLETE THE WORK WITHOUT ANY INTERRUPTIONS.
- COMPANY SHALL BE RESPONSIBLE FOR PROVIDING POTABLE WATER AND TEMPORARY SANITARY FACILITIES FOR COMPANY'S PERSONNEL. COMPANY SHALL ALSO BE RESPONSIBLE FOR INSTALLING AND REMOVING ANY REQUIRED TEMPORARY UTILITY CONNECTIONS.
- GRADES AND ELEVATIONS SHOWN ARE FINISHED GRADE UNLESS OTHERWISE INDICATED.
- INSTALL EROSION CONTROL MEASURES PER THE SWPPP AND AS NECESSARY TO PERFORM WORK IN ACCORDANCE WITH ALL APPLICABLE LAND DISTURBANCE ORDINANCES AND REGULATIONS.
- COMPANY IS RESPONSIBLE FOR MANAGING STORMWATER FOR THE PROJECT SITE. NO STORMWATER SHALL BE PONDED ON-SITE DURING OR AFTER CONSTRUCTION.

VOLTAGE (NOMINAL, KV, ALTERNATING CURRENT)	MINIMUM CLEARANCE DISTANCE (FEET)
UP TO 50	15
OVER 50 TO 200	20
OVER 200 TO 350	25
OVER 350 TO 500	30
OVER 500 TO 750	40
OVER 750 TO 1,000	50
OVER 1,000	(AS ESTABLISHED BY THE UTILITY OWNER/OPERATOR OR REGISTERED PROFESSIONAL ENGINEER WHO IS A QUALIFIED PERSON WITH RESPECT TO ELECTRICAL POWER TRANSMISSION AND DISTRIBUTION).

NOTE: THE VALUE THAT FOLLOWS "TO" IS UP TO AND INCLUDES THAT VALUE. FOR EXAMPLE, OVER 50 TO 200 MEANS UP TO AND INCLUDING 200KV.



VICINITY MAP
NOT TO SCALE

SITE ADDRESS
12940 US-181
SAN ANTONIO, TX
78223



FOR BID - NOT FOR CONSTRUCTION

THIS DOCUMENT IS RELEASED FOR BID UNDER THE AUTHORITY OF RANDALL LEE SEDLACEK, P.E. 99056 ON 05/31/2024. IT IS NOT TO BE USED FOR CONSTRUCTION PURPOSES.

no.	date	by	ckd	description
0	05/31/24	AJM		INITIAL ISSUE

no.	date	by	ckd	description

BURNS MCDONNELL
9400 WARD PARKWAY
KANSAS CITY, MO 64114
816-333-9400
Burns & McDonnell Engineering Co., Inc.
FIRM REG. NO. F-845

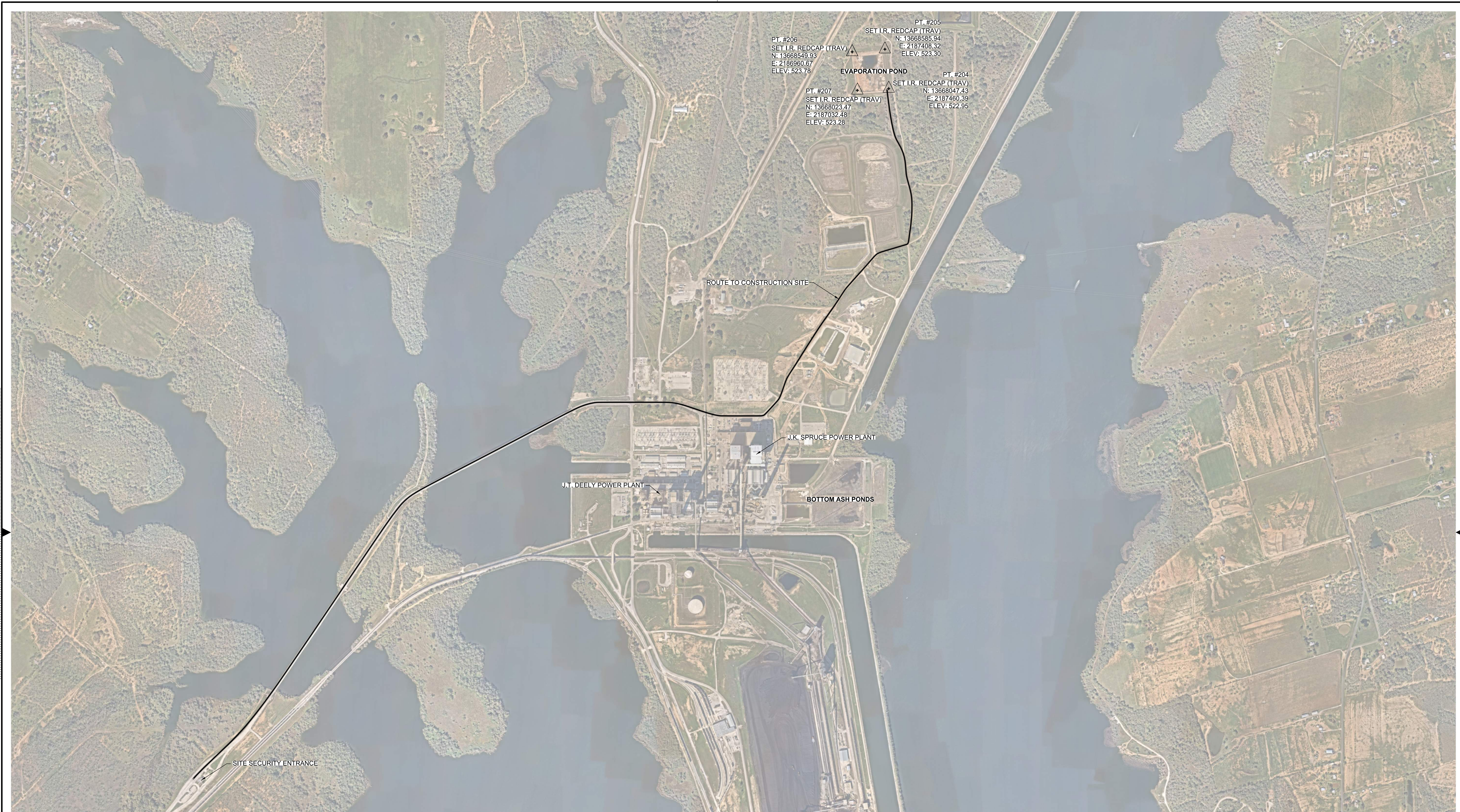
designed: M. BLEYTHING
detailed: S. NICHOLS

CPS ENERGY

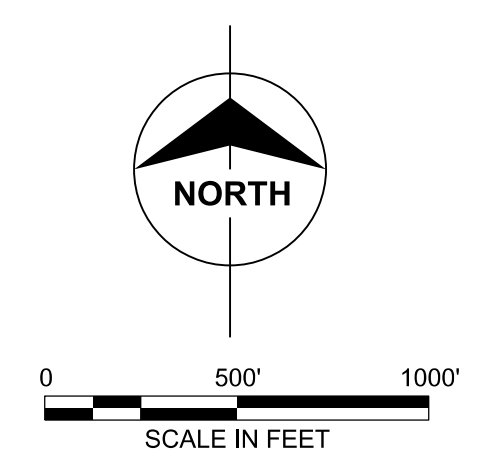
J.K. SPRUCE POWER PLANT
BEXAR COUNTY, TEXAS

EVAPORATION POND CLOSURE
LEGEND, ABBREVIATIONS,
VICINITY MAP & GENERAL NOTES

project	116817	contract	
drawing		rev.	
CS001		0	
sheet	of	sheet	of
file 116817CS001.DGN			



- NOTES:**
1. ROAD SHALL BE IN EQUAL OR BETTER CONDITION, AT THE COMPLETION OF CONSTRUCTION. COMPANY TO DOCUMENT CONDITION OF ROAD PRIOR TO CONSTRUCTION.
 2. COMPANY WILL BE RESPONSIBLE FOR DUST CONTROL AND ROAD MAINTENANCE DURING CONSTRUCTION.



FOR BID - NOT FOR CONSTRUCTION

THIS DOCUMENT IS RELEASED FOR BID, UNDER THE AUTHORITY OF RANDELL LEE SEDLACEK, P.E. 99056 ON 05/31/2024. IT IS NOT TO BE USED FOR CONSTRUCTION PURPOSES.

no.	date	by	ckd	description
0	05/31/24	AJM		INITIAL ISSUE

BURNS MEDONNELL
 9400 WARD PARKWAY
 KANSAS CITY, MO 64114
 816-333-9400
 Burns & McDonnell Engineering Co., Inc.
 FIRM REG. NO. F-845

designed: M. BLEYTHING
 detailed: S. NICHOLS

CPS ENERGY

J.K. SPRUCE POWER PLANT
 BEXAR COUNTY, TEXAS

EVAPORATION POND CLOSURE SITE PLAN

project	116817	contract	
drawing	CS002	rev.	0
sheet	of	of	of
file	116817CS002.DGN		

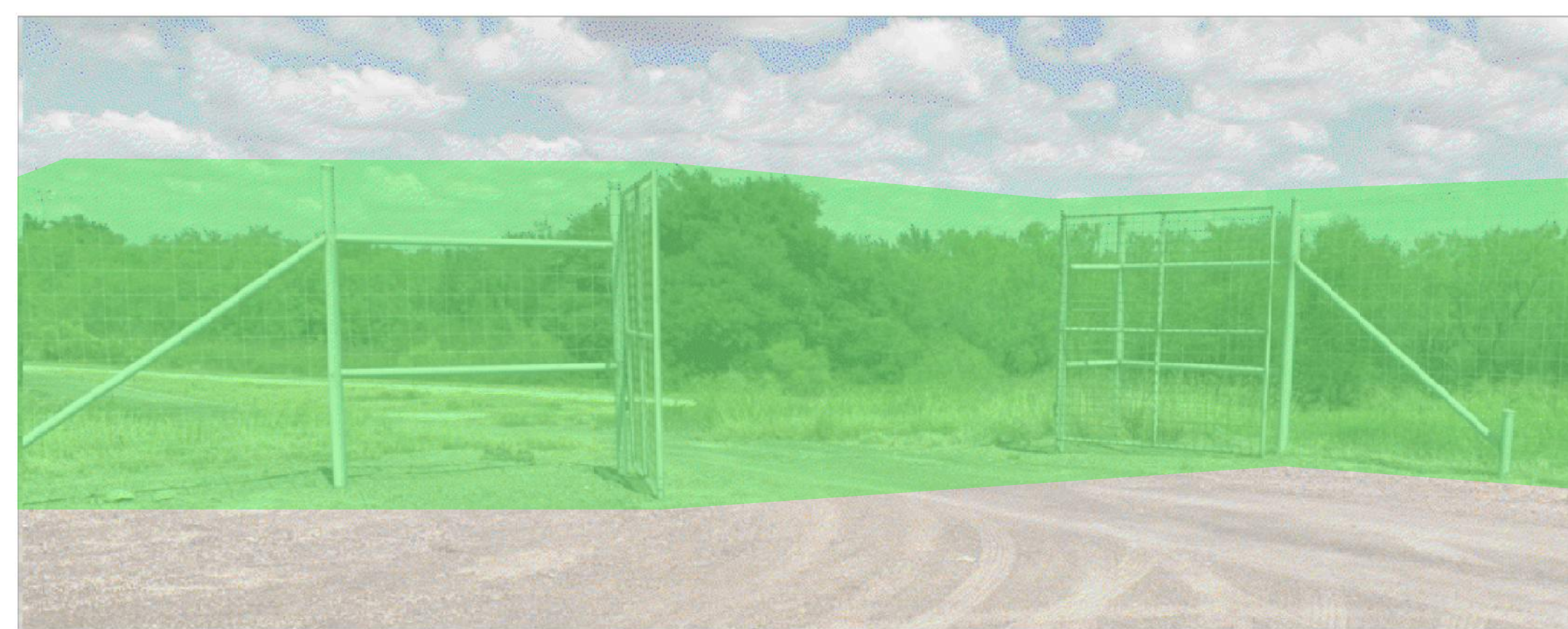


FIGURE 1



FIGURE 2

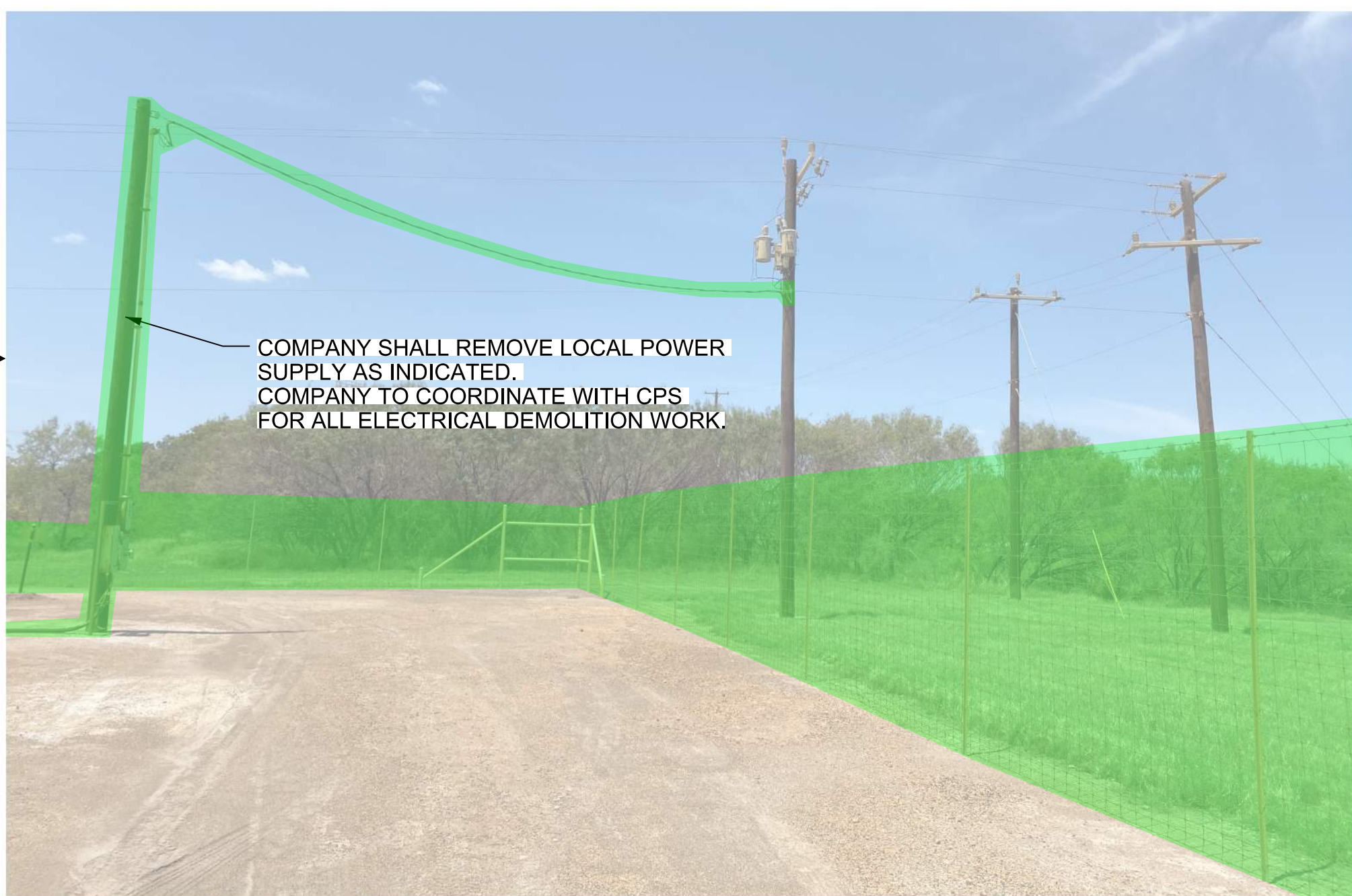


FIGURE 3

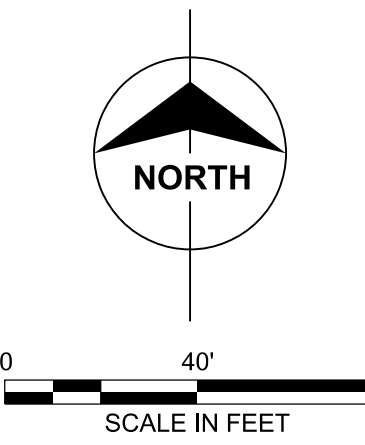


FIGURE 4



NOTES:

1. ALL MATERIAL REMOVED FOR DEMOLITION WILL BE DISPOSED OF AT COMPANYS EXPENSE.
2. SEE EXIST DRAWING D/S - 1547 FOR APPROXIMATE WATERLINE LOCATIONS.
3. SEE DEMOLITION SPECIFICATION FOR FURTHER INFORMATION.



FOR BID - NOT FOR CONSTRUCTION



THIS DOCUMENT IS RELEASED FOR BID, UNDER THE AUTHORITY OF RANDELL LEE SEDLACEK, P.E. 98058 ON 05/31/2024. IT IS NOT TO BE USED FOR CONSTRUCTION PURPOSES.

no.	date	by	ckd	description	no.	date	by	ckd	description
0	05/31/24	AJM		INITIAL ISSUE					

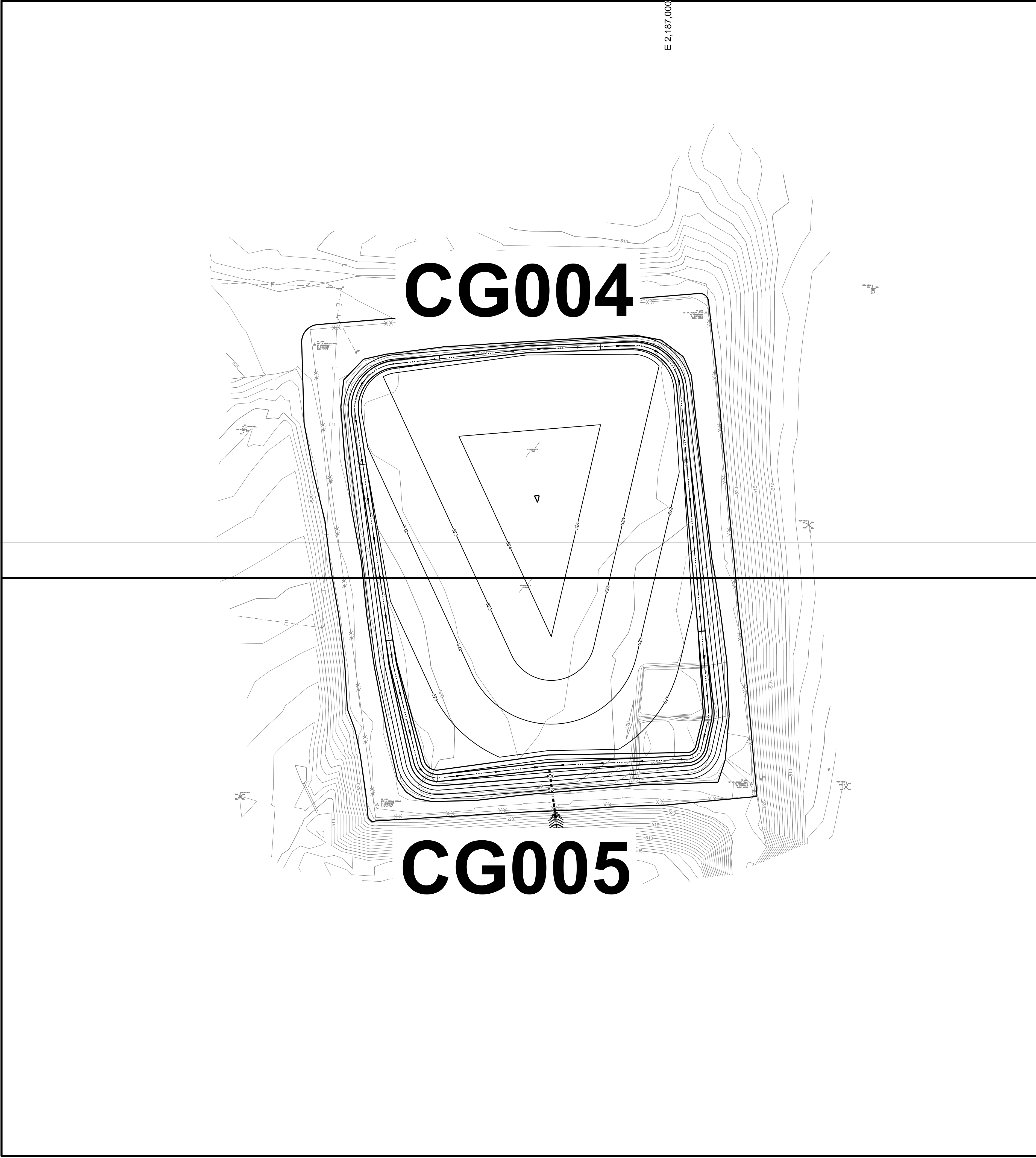
<p>9400 WARD PARKWAY KANSAS CITY, MO 64114 816-333-9400 Burns & McDonnell Engineering Co, Inc. FIRM REG. NO. F-845</p>	<p>J.K. SPRUCE POWER PLANT BEXAR COUNTY, TEXAS</p>	<p>EVAPORATION POND CLOSURE DEMOLITION PLAN</p>	
		<p>designed M. BLEYTHING</p>	<p>detailed S. NICHOLS</p>
<p>project 116817</p>		<p>contract -</p>	
<p>drawing CD000</p>		<p>rev. 0</p>	
<p>sheet file116817CD000.DGN</p>		<p>of -</p>	
<p>designed M. BLEYTHING</p>		<p>detailed S. NICHOLS</p>	

E 2,186,000

E 2,187,000

E 2,188,000

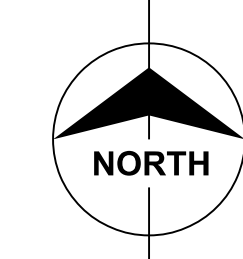
N 13,666,000



A
B
C
D
E
F
G
H
I
J
K
L

CG004

CG005



FOR BID - NOT FOR CONSTRUCTION

THIS DOCUMENT IS RELEASED FOR BID, UNDER THE AUTHORITY OF RANDELL LEE SEDLACEK, P.E. 99056 ON 05/31/2024. IT IS NOT TO BE USED FOR CONSTRUCTION PURPOSES.

no.	date	by	ckd	description
0	05/31/24	AJM		INITIAL ISSUE

BURNS MEDONNELL
 9400 WARD PARKWAY
 KANSAS CITY, MO 64114
 816-333-9400
 Burns & McDonnell Engineering Co., Inc.
 FIRM REG. NO. F-845

designed: M. BLEYTHING
 detailed: S. NICHOLS

CPS ENERGY

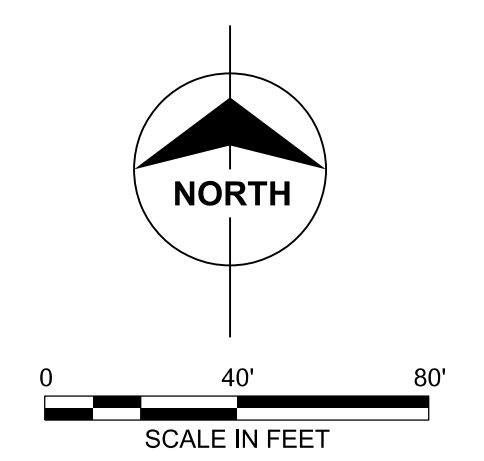
J.K. SPRUCE POWER PLANT
 BEXAR COUNTY, TEXAS

EVAPORATION POND CLOSURE KEY PLAN

project	116817	contract	
drawing	CG000	rev.	0
sheet	of	of	of
file	116817CG000.DGN		



- NOTES:**
- SEE EXISTING DRAWING D/S - 1547 FOR APPROXIMATE WATERLINE LOCATIONS.
 - SEE EXISTING DRAWING D/S - 1554 FOR POND CONSTRUCTION DRAWINGS.
 - EVAPORATION POND EXIST BOTTOM LINER SYSTEM CONSISTS OF A ONE-FOOT LAYER OF COHESIVE SOIL COVER OVERLYING A 30-MIL POLYVINYL CHLORIDE GEOMEMBRANE AND AN ADDITIONAL ONE-FOOT OF COHESIVE SOIL. CONTRACTOR SHALL FIELD VERIFY SOIL COVER THICKNESS AND DEPTH TO PVC LINER.
 - IT IS PRUDENT TO FOLLOW THE FOLLOWING RECOMMENDATIONS TO REDUCE WORKER EXPOSURE TO ASBESTOS. SINCE ALL EXCAVATED MATERIAL COULD POTENTIALLY CONTAIN ASBESTOS MATERIAL, THE CONTRACTOR MUST HAVE A TEXAS-LICENSED ASBESTOS ABATEMENT CONTRACTOR WITH A TEXAS-LICENSED ASBESTOS SUPERVISOR (COMPETENT PERSON) AND TEXAS-LICENSED ASBESTOS WORKERS TO HANDLE ALL EXCAVATION MATERIALS FROM WITHIN THE CCR IMPOUNDMENT. ABATEMENT CONTRACTOR MUST PROVIDE WORK PROCEDURES ON THE PROPER GRADING OF THE MATERIAL, AND IF REQUIRED, THE REMOVAL, TRANSPORTATION, AND DISPOSAL OF THE EXCAVATION SPOILS. ALL HANDLING PROCEDURES WILL BE DONE IN ACCORDANCE WITH FEDERAL, STATE, AND LOCAL ASBESTOS REGULATIONS. ABATEMENT CONTRACTOR SHALL SUBMIT ASBESTOS WORK PROCEDURES TO PREVENT WORKER EXPOSURE AND FIBER EMISSIONS TO ATMOSPHERE AND REQUIRED ASBESTOS ABATEMENT NOTIFICATIONS PRIOR TO START OF WORK.



FOR BID - NOT FOR CONSTRUCTION

THIS DOCUMENT IS RELEASED FOR BID, UNDER THE AUTHORITY OF RANDELL LEE SEDLACEK, P.E. 99056 ON 05/31/2024. IT IS NOT TO BE USED FOR CONSTRUCTION PURPOSES.

no.	date	by	ckd	description	no.	date	by	ckd	description
0	05/31/24	AJM		INITIAL ISSUE					

BURNS MEDONNELL
 9400 WARD PARKWAY
 KANSAS CITY, MO 64114
 816-333-9400
 Burns & McDonnell Engineering Co., Inc.
 FIRM REG. NO. F-845

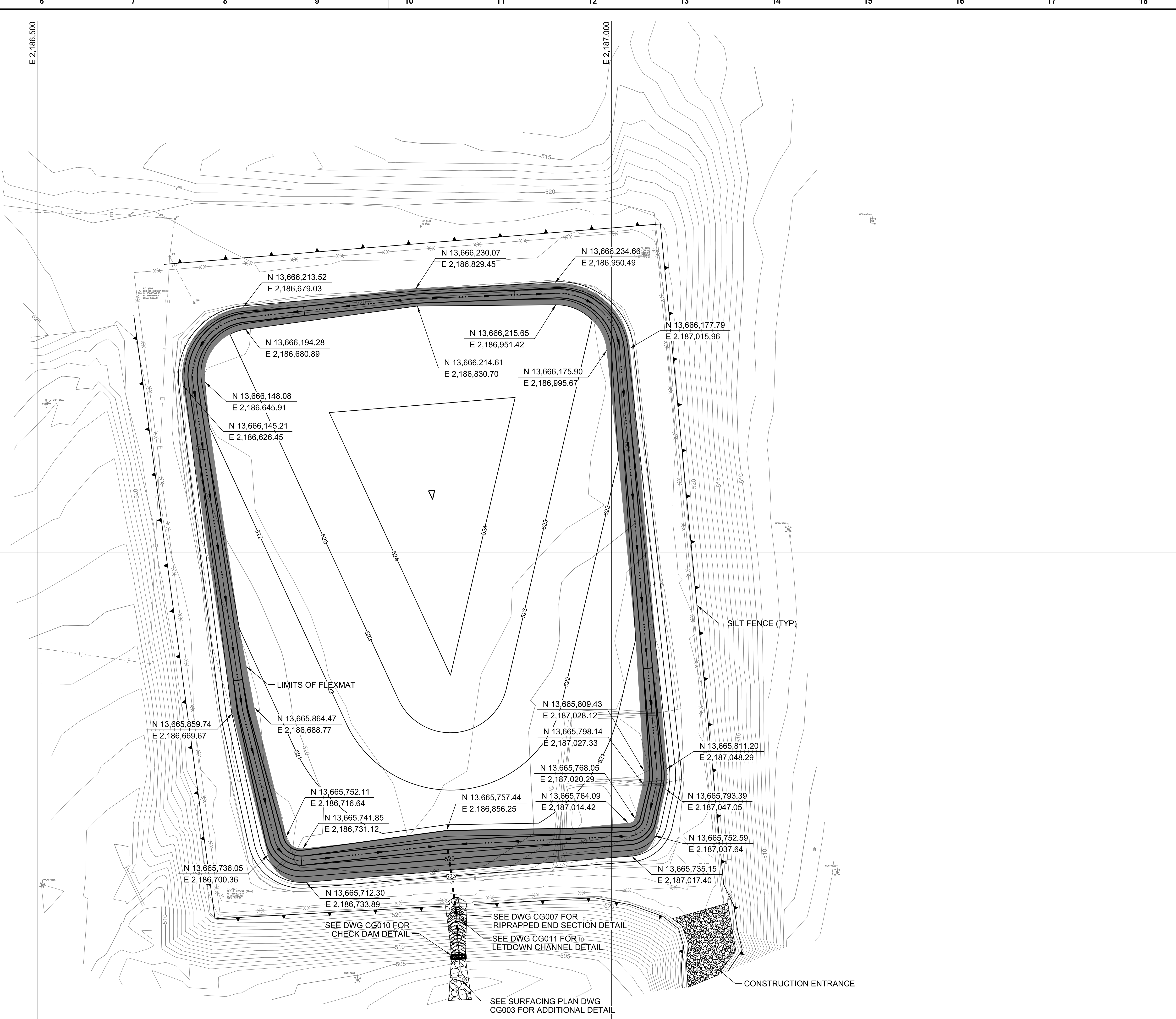
designed: M. BLEYTHING
 detailed: S. NICHOLS

CPS ENERGY

J.K. SPRUCE POWER PLANT
 BEXAR COUNTY, TEXAS

EVAPORATION POND CLOSURE EXISTING CONDITIONS

project	116817	contract	
drawing	CG001	rev.	0
sheet	of	of	sheets
file116817CG001.DGN			

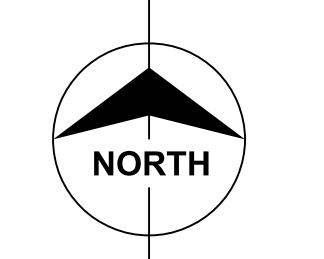


STORMWATER NOTES:

1. STORMWATER THAT HAS BEEN IN CONTACT WITH CCR SHALL NOT BE ALLOWED TO DISCHARGE OFFSITE.
 2. COMPANY SHALL BE RESPONSIBLE FOR DEWATERING UNWATERING THE POND AND DEWATERING MATERIAL STORED/ PLACED IN THE POND PRIOR TO INSTALLING THE COVER SYSTEM DURING CONSTRUCTION. WATER TO DISCHARGE FROM THE EXISTING CULVERT, CCR CONTACT WATER SHALL BE PUMPED INTO A TRUCK AND HAULED OFFSITE AS DIRECTED BY CPS ENERGY.
- A. CONTRACTOR SHALL INSTALL A MINIMUM OF ONE (1) OBSERVATION WELL PER FIVE (5) ACRES OF CLOSURE AREA TO SUPPORT CONFIRMATION OF WATER REMOVAL.
- B. DURING CLOSURE CONSTRUCTION, INSTALLATION OF THE COVER SYSTEM SHALL NOT COMMENCE UNTIL THE UNDERLYING WASTE IS DEWATERED AND STABILIZED SUFFICIENT TO SUPPORT THE FINAL COVER SYSTEM AND ANY ASSOCIATED CONSTRUCTION ACTIVITIES.
- C. DEWATERING AND UNWATERING ACTIVITIES SHALL CONTINUE UNTIL THE FOLLOWING CONDITIONS ARE ACHIEVED:
1. THE FINAL COVER SYSTEM IS INSTALLED
 2. ALL "FREE LIQUIDS" ARE REMOVED IN ACCORDANCE WITH THE CLOSURE PERFORMANCE STANDARD IN 257.102(d)(2)(i) AND,
 - A. WATER IS NO LONGER OBSERVED WITHIN ALL OBSERVATION WELLS.
 - B. WATER LEVELS MEASURED IN EACH OBSERVATION WELL REMAIN UNCHANGED (I.E., NOT OBSERVED) WITHIN A 72-HOUR PERIOD.

EROSION AND SEDIMENT CONTROL NOTES:

1. ALL SEDIMENT AND EROSION CONTROL ITEMS SHALL BE COORDINATED AS THE PHASES OF THE PROJECT PROGRESSES.
2. CONSTRUCTION ACTIVITY POLLUTION PREVENTION IS REQUIRED FOR THIS PROJECT. PREVENTION OF POLLUTION RESULTING FROM CONSTRUCTION ACTIVITIES SHALL BE ACCOMPLISHED BY CONTROLLING SOIL EROSION, WATERWAY SEDIMENTATION, AND AIRBORNE DUST GENERATION. COMPANY SHALL ENSURE THAT NO SEDIMENT RESULTING FROM CONSTRUCTION ACTIVITIES INFRINGES ONTO ADJACENT PROPERTIES. COMPANY SHALL COORDINATE EROSION AND SEDIMENT CONTROL WITH OTHER CONSTRUCTION ENTITIES PERFORMING WORK ON ADJACENT PROPERTIES.
3. THE COMPANY SHALL UTILIZE APPROPRIATE BEST MANAGEMENT PRACTICES (BMPs). THOSE BMPs SHALL CONSIST OF ROCK CHECK DAMS, FIBER LOGS, STRAW WATTLES, SILT FENCE OR OTHER MEANS TO CONTROL EROSION AS NEEDED. THE COMPANY SHALL PROVIDE AND FOLLOW THE EROSION AND STORMWATER POLLUTION PREVENTION PLAN (SWPPP).
4. COMPANY SHALL PLACE BMPs AS SHOWN PRIOR TO BEGINNING WORK. THE DEVICES SHALL BE PLACED DOWN-SLOPE OF DISTURBED AREAS WHERE SHEET EROSION WOULD OCCUR.
5. LOCATIONS OF SILT FENCE AS SHOWN ON THE DRAWINGS ARE THE MINIMUM REQUIREMENTS. COMPANY SHALL RELOCATE THEM OR ADD ADDITIONAL EROSION CONTROL FACILITIES AS REQUIRED TO COMPLY WITH THE SWPPP.
6. ALL EROSION CONTROL FEATURES SHALL BE INSPECTED AT LEAST ONCE EVERY SEVEN (7) DAYS AND AFTER EVERY 1/2-INCH OR GREATER RAINFALL EVENT AS REQUIRED BY THE SWPPP. COMPANY SHALL REPAIR OR REPLACE BMPs AS NECESSARY.



0 40' 80'
SCALE IN FEET



FOR BID - NOT FOR CONSTRUCTION

THIS DOCUMENT IS RELEASED FOR BID, UNDER THE AUTHORITY OF RANDELL LEE SEDLACEK, P.E. 29056 ON 05/31/2024. IT IS NOT TO BE USED FOR CONSTRUCTION PURPOSES.

no.	date	by	ckd	description	no.	date	by	ckd	description
0	05/31/24	AJM		INITIAL ISSUE					

BURNS MCDONNELL
 9400 WARD PARKWAY
 KANSAS CITY, MO 64114
 816-333-9400
 Burns & McDonnell Engineering Co., Inc.
 FIRM REG. NO. F-845

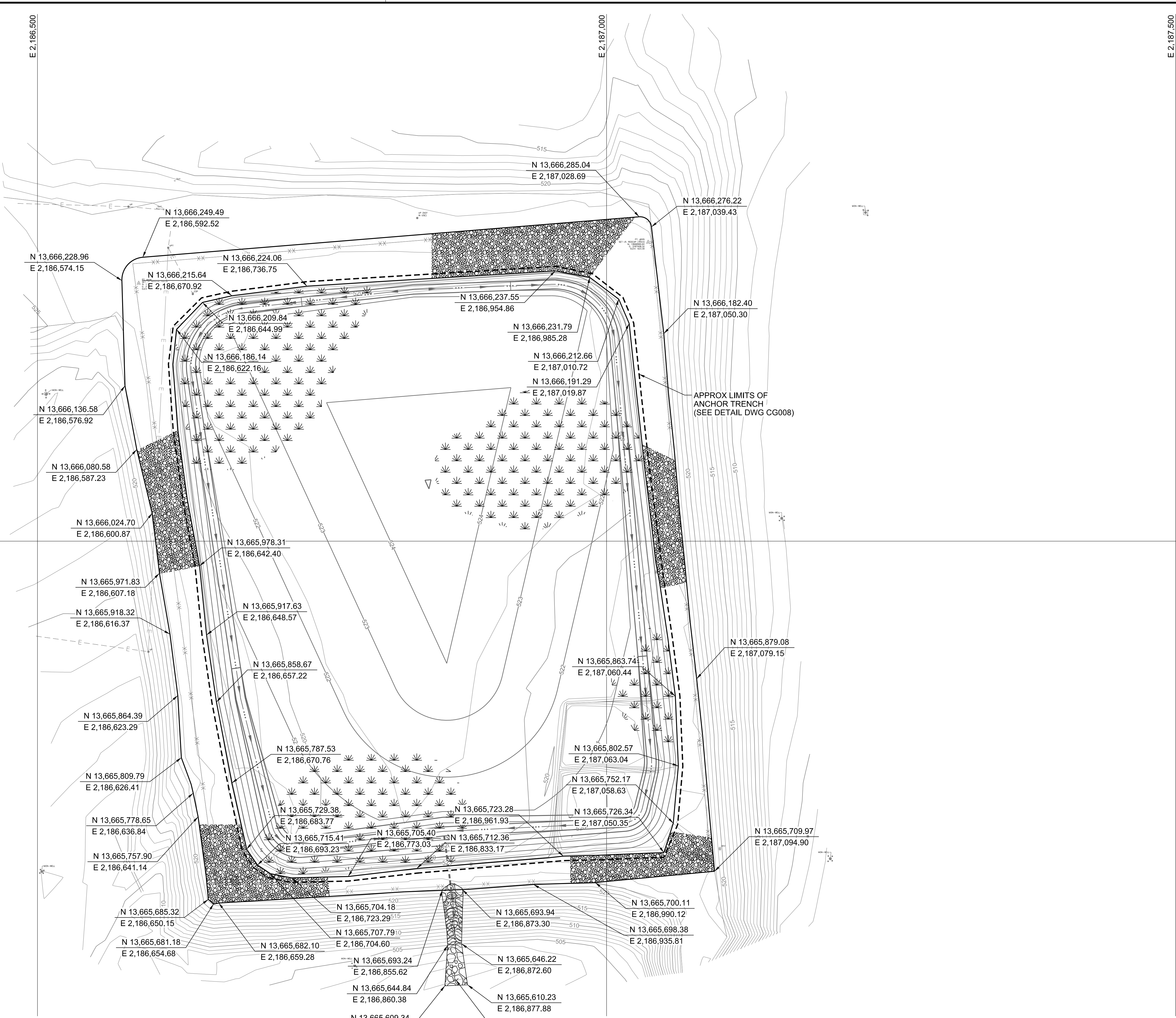
designed: M. BLEYTHING
 detailed: S. NICHOLS

CPS ENERGY

J.K. SPRUCE POWER PLANT
 BEXAR COUNTY, TEXAS

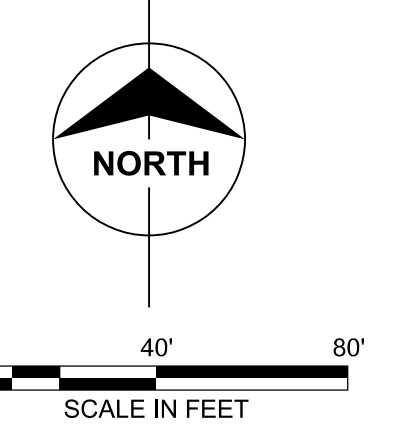
EVAPORATION POND CLOSURE
 EROSION CONTROL PLAN

project	116817	contract	
drawing	CG002	rev.	0
sheet		of	
file116817CG002.DGN			



LEGEND

- 6" TOPSOIL AND SEED
- RIPRAP
- 8" CRUSHED ROCK



FOR BID - NOT FOR CONSTRUCTION

THIS DOCUMENT IS RELEASED FOR BID, UNDER THE AUTHORITY OF RANDELL LEE SEDLACEK, P.E. 98956 ON 05/31/2024. IT IS NOT TO BE USED FOR CONSTRUCTION PURPOSES.

no.	date	by	ckd	description
0	05/31/24	AJM		INITIAL ISSUE

BURNS MEDONNELL
 9400 WARD PARKWAY
 KANSAS CITY, MO 64114
 816-333-9400
 Burns & McDonnell Engineering Co., Inc.
 FIRM REG. NO. F-845

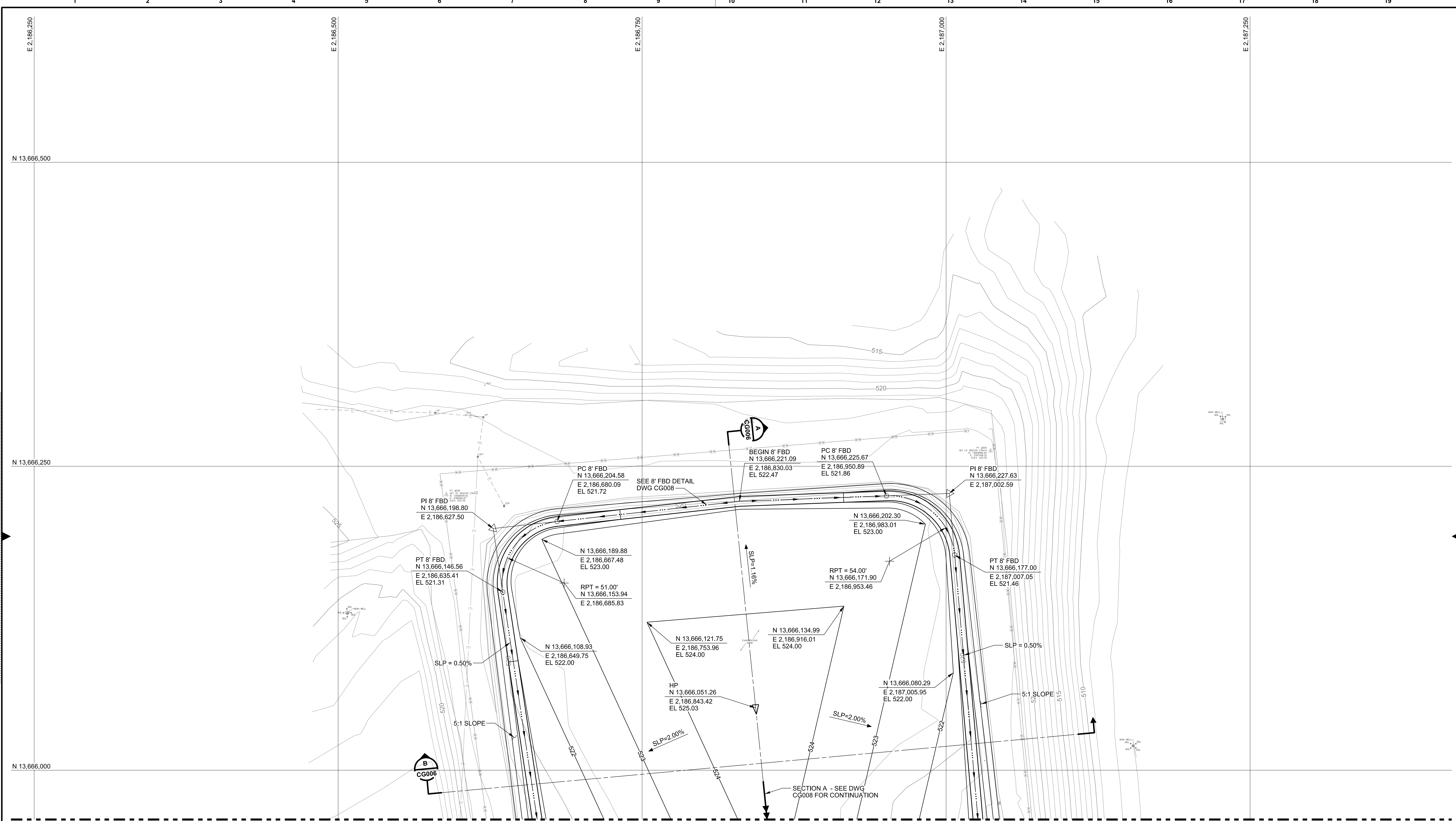
designed: M. BLEYTHING
 detailed: S. NICHOLS

CPS ENERGY

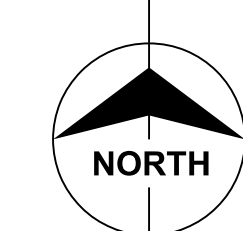
J.K. SPRUCE POWER PLANT
 BEXAR COUNTY, TEXAS

EVAPORATION POND CLOSURE SURFACING PLAN

project	116817	contract	
drawing	CG003	rev.	0
sheet	of	of	of
file116817CG003.DGN			



Scale For Microdrawing
 Inches
 Millimeters



SCALE IN FEET
 0 30 60

FOR BID - NOT FOR CONSTRUCTION



THIS DOCUMENT IS RELEASED FOR BID, UNDER THE AUTHORITY OF RANDELL LEE SEDLACEK P.E. 98056 ON 05/31/2024. IT IS NOT TO BE USED FOR CONSTRUCTION PURPOSES.

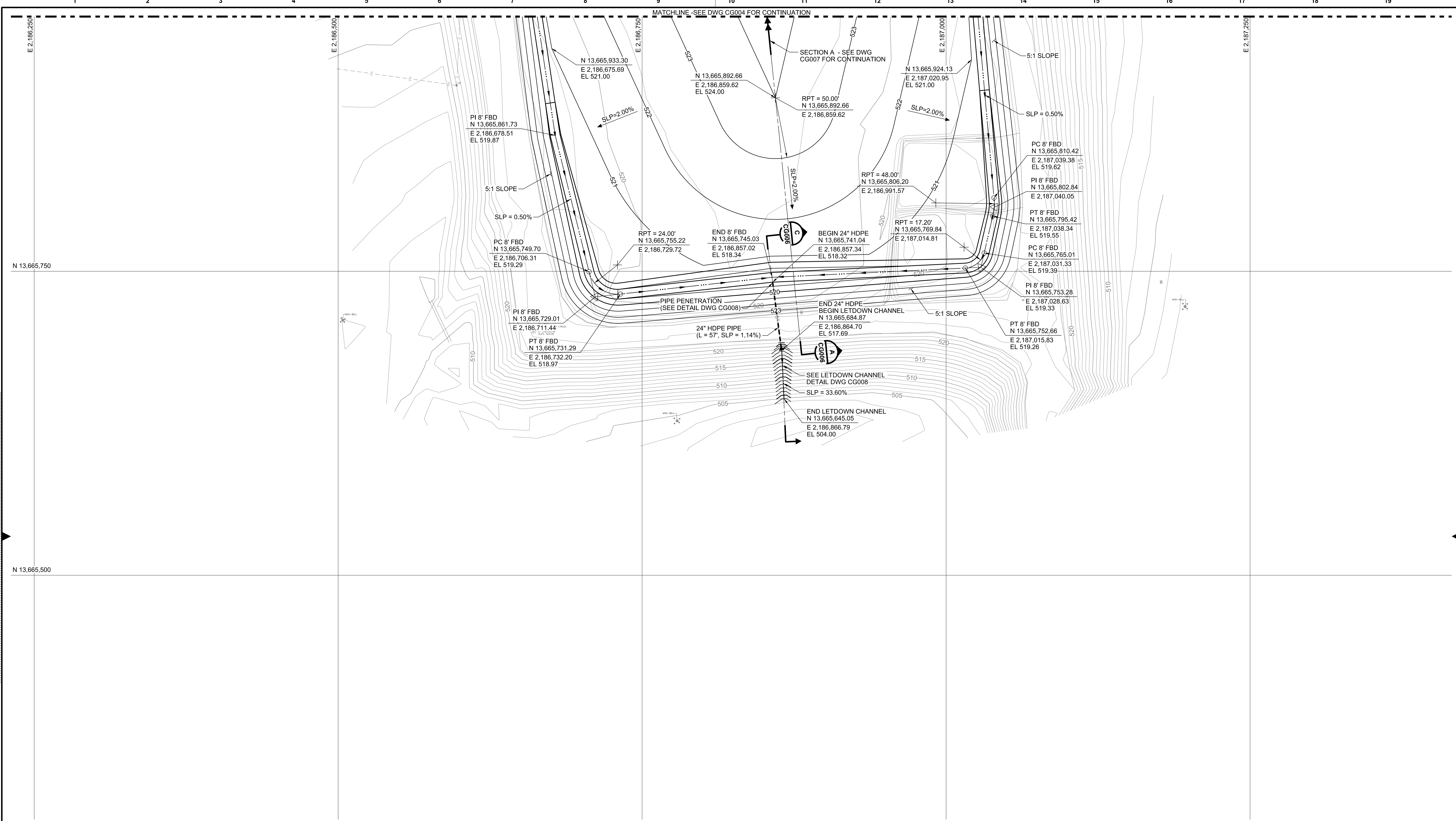
no.	date	by	ckd	description
0	05/31/24	AJM		INITIAL ISSUE

BURNS MEDONNELL
 9400 WARD PARKWAY
 KANSAS CITY, MO 64114
 816-333-9400
 Burns & McDonnell Engineering Co., Inc.
 FIRM REG. NO. F-845

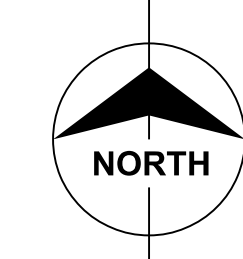


J.K. SPRUCE POWER PLANT
 BEXAR COUNTY, TEXAS

EVAPORATION POND CLOSURE FINISH GRADING PLAN SHEET 1	
project	contract
116817	
drawing	rev.
CG004	0
sheet	of
file116817CG004.DGN	sheets



Scale For Micromating
Millimeters
Inches



0 30' 60'
SCALE IN FEET



FOR BID - NOT FOR CONSTRUCTION

THIS DOCUMENT IS RELEASED FOR BID, UNDER THE AUTHORITY OF RANDELL LEE SEDLACEK, P.E. 99056 ON 05/31/2024. IT IS NOT TO BE USED FOR CONSTRUCTION PURPOSES.

no.	date	by	ckd	description	no.	date	by	ckd	description
0	05/31/24	AJM		INITIAL ISSUE					

BURNS MEDONNELL
 9400 WARD PARKWAY
 KANSAS CITY, MO 64114
 816-333-9400
 Burns & McDonnell Engineering Co., Inc.
 FIRM REG. NO. F-845

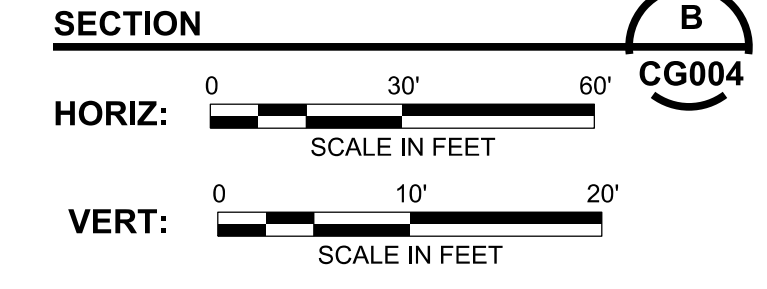
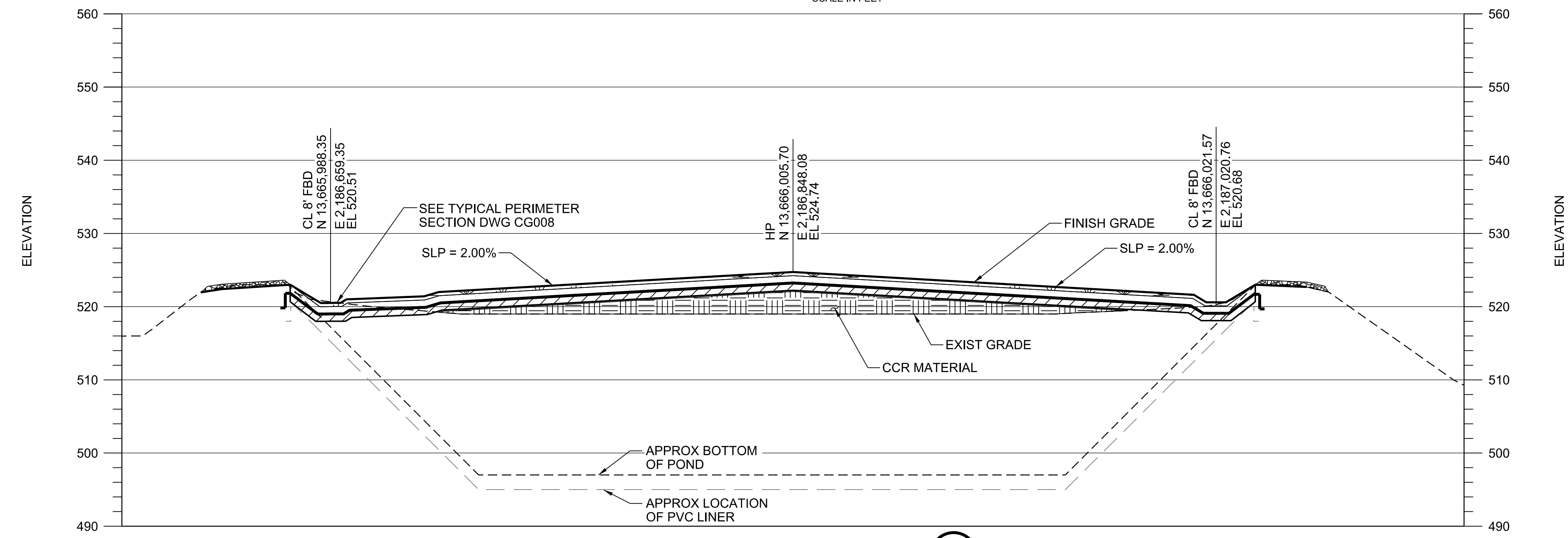
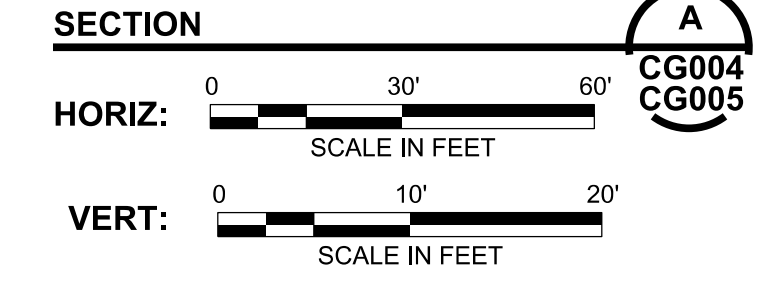
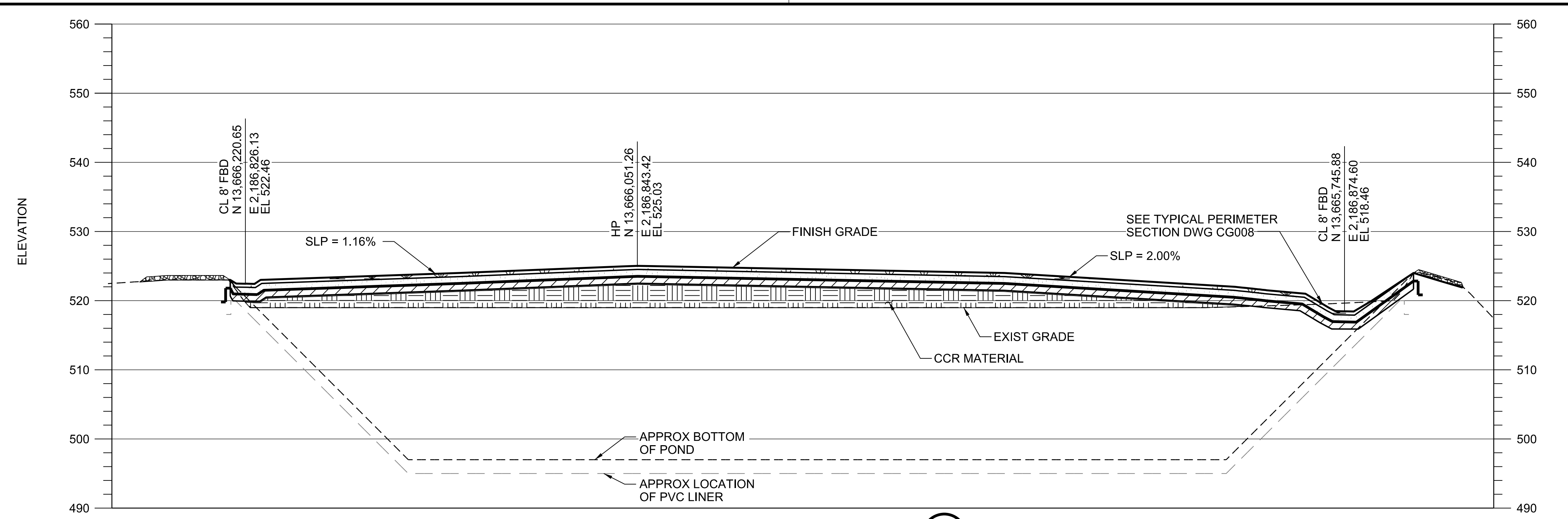
designed: M. BLEYTHING
 detailed: S. NICHOLS

CPS ENERGY

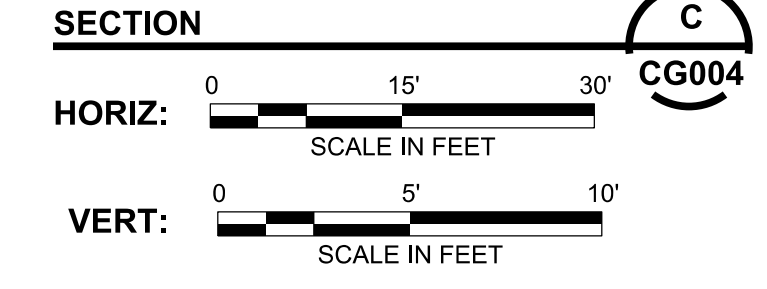
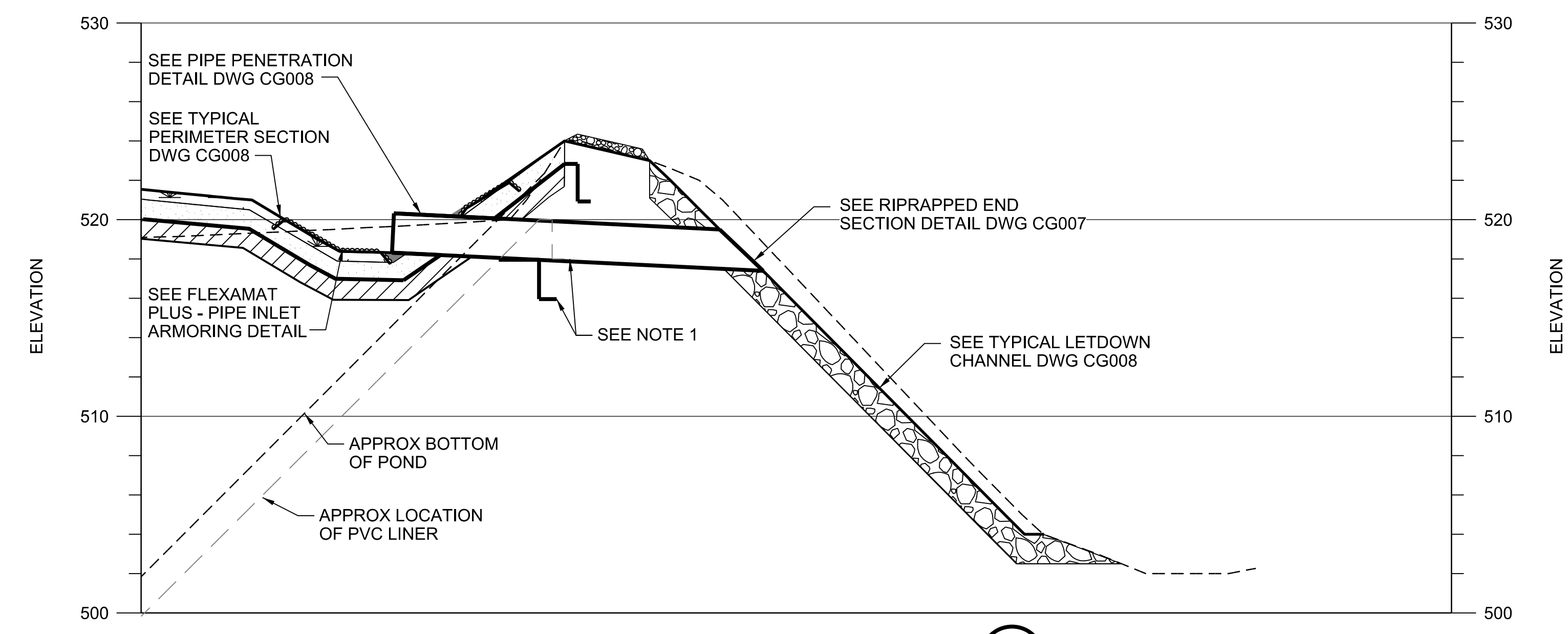
J.K. SPRUCE POWER PLANT
 BEXAR COUNTY, TEXAS

EVAPORATION POND CLOSURE
 FINISH GRADING PLAN
 SHEET 2

project	116817	contract	
drawing	CG005	rev.	0
sheet	of	of	of
file	116817CG005.DGN	of	of



NOTES:
 1. COMPANY SHALL NOT DAMAGE EXISTING LINER. SEE DETAIL A ON REFERENCE DWG D/S-1554. SUITABLE FILL SHALL BE USED AS NEEDED TO ACHIEVE GRADES INDICATED.



NOTES:
 1. COMPANY SHALL EXPOSE EXIST PVC LINER WITHOUT DAMAGING IT AND RE-ANCHOR IT BENEATH THE NEW HDPE PIPE

GENERAL NOTES:
 1. SEE DWG CG008 FOR COVER SYSTEM DETAILS.



FOR BID - NOT FOR CONSTRUCTION

THIS DOCUMENT IS RELEASED FOR BID, UNDER THE AUTHORITY OF RANDELL LEE SEDLACEK, P.E. 99056 ON 05/31/2024. IT IS NOT TO BE USED FOR CONSTRUCTION PURPOSES.

no.	date	by	ckd	description	no.	date	by	ckd	description
0	05/31/24	AJM		INITIAL ISSUE					

BURNS MEDONNELL
 9400 WARD PARKWAY
 KANSAS CITY, MO 64114
 816-333-9400
 Burns & McDonnell Engineering Co., Inc.
 FIRM REG. NO. F-845

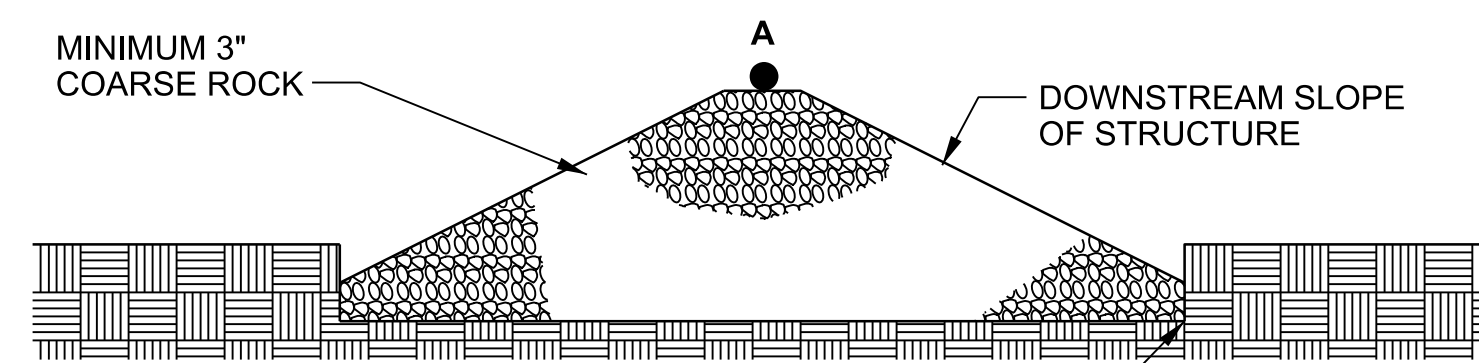
designed: M. BLEYTHING
 detailed: S. NICHOLS

CPS ENERGY

J.K. SPRUCE POWER PLANT
 BEXAR COUNTY, TEXAS

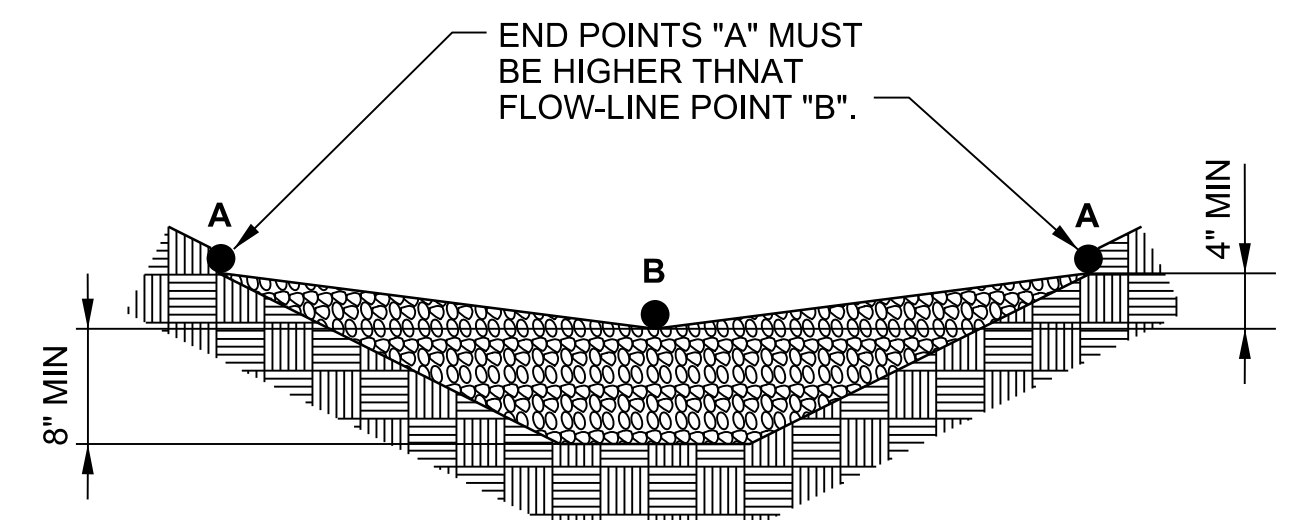
EVAPORATION POND CLOSURE FINISH GRADING SECTIONS

project	116817	contract	
drawing	CG006	rev.	0
sheet	of	of	of
file	116817CG006.DGN		



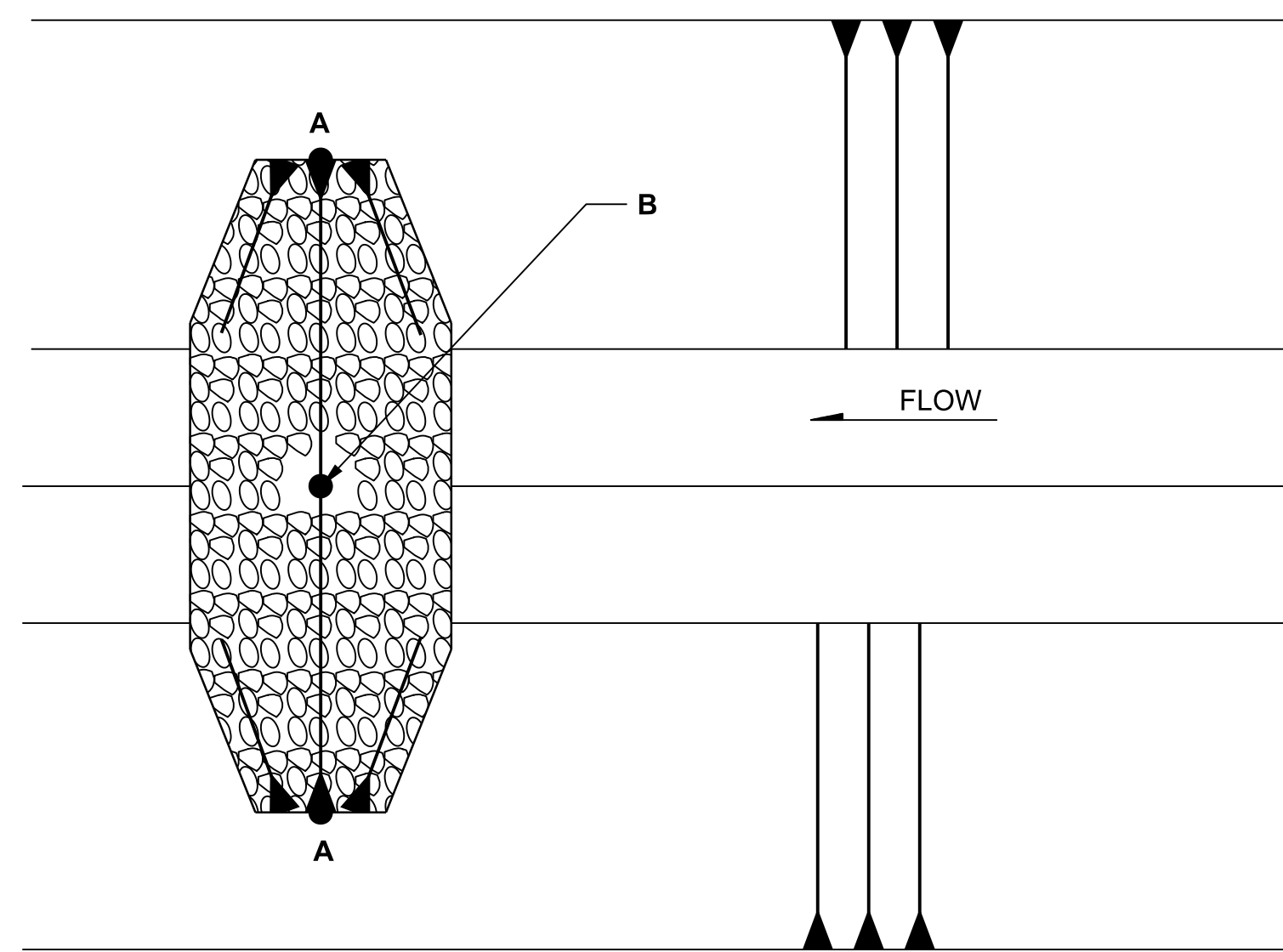
MINIMUM 3" COARSE ROCK
DOWNSTREAM SLOPE OF STRUCTURE
ROCK SET IN A 4" OR DEEPER TRENCH

SIDE VIEW
NOT TO SCALE



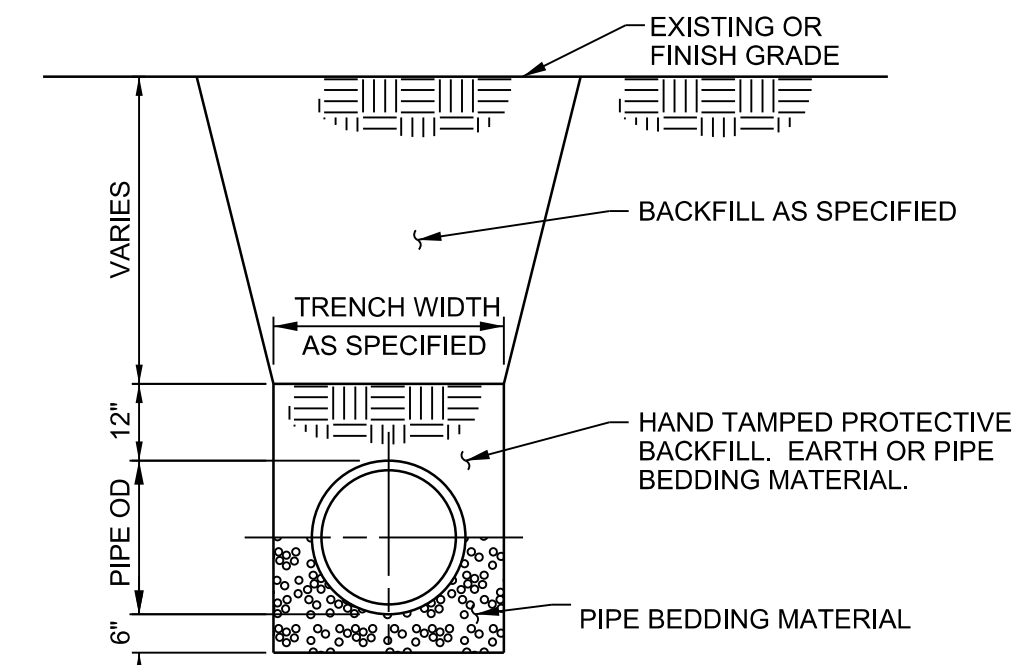
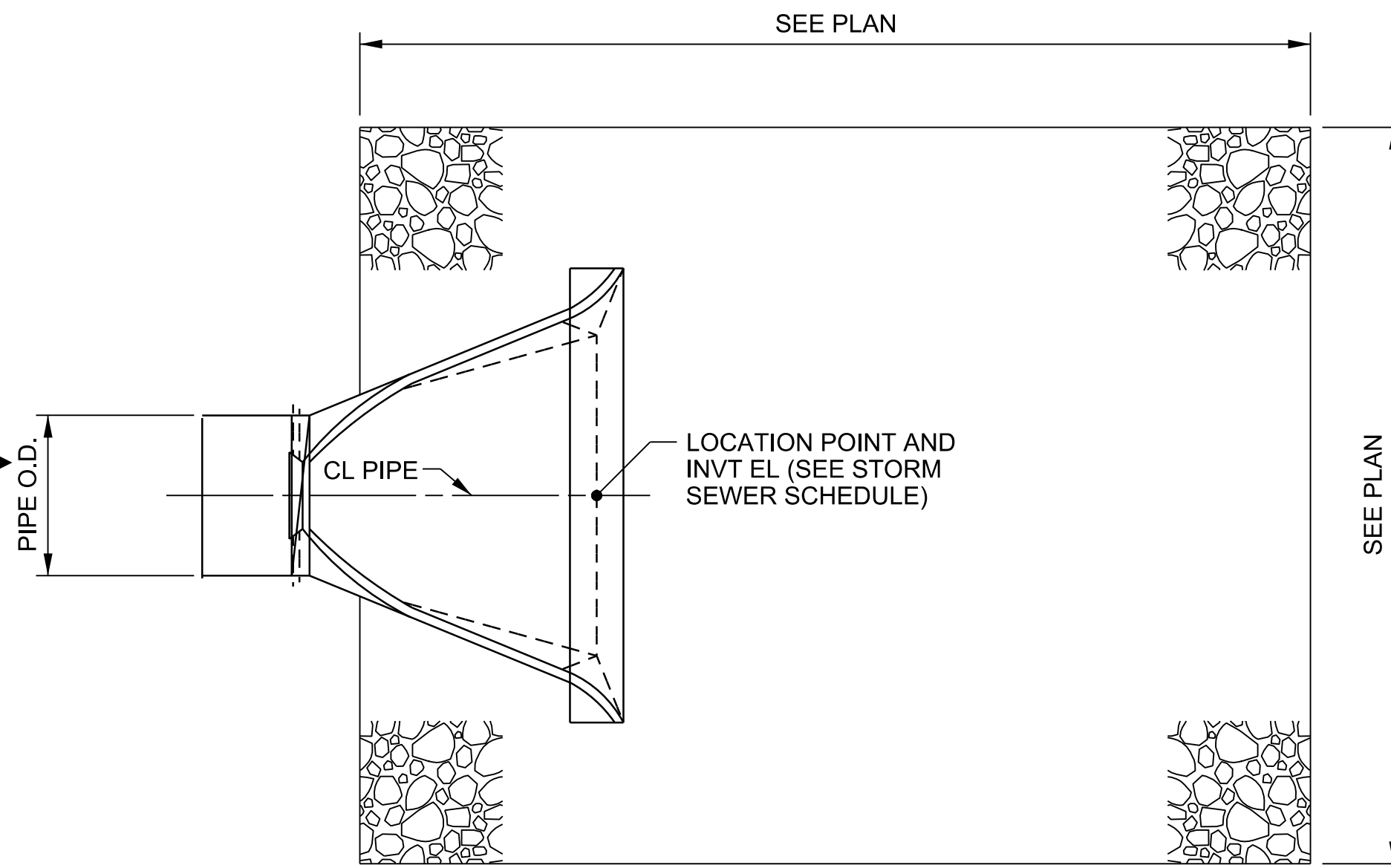
END POINTS "A" MUST BE HIGHER THAN FLOW-LINE POINT "B".

FRONT VIEW
NOT TO SCALE

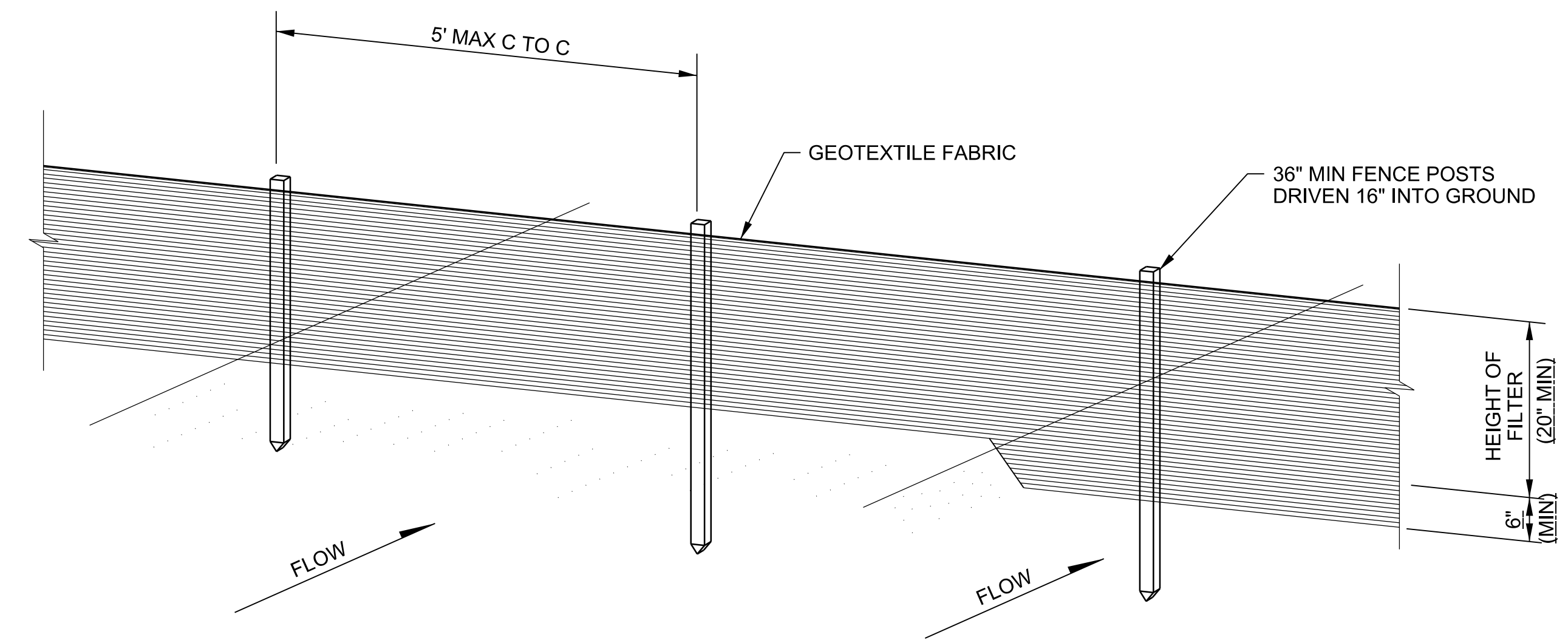


PLAN VIEW
NOT TO SCALE

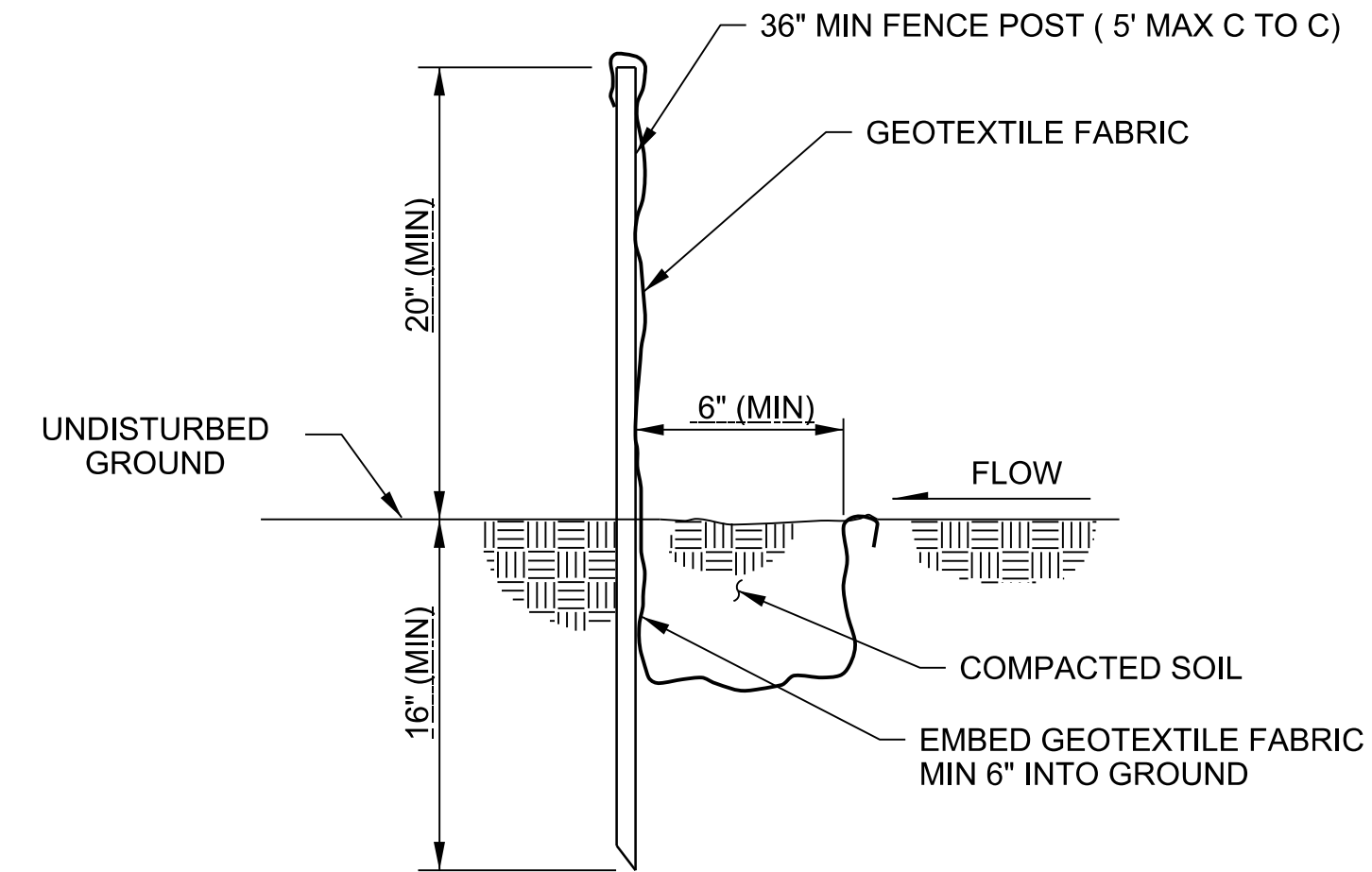
ROCK CHECK DAM IN DITCH
NOT TO SCALE



TYPICAL PIPE TRENCH
NOT TO SCALE



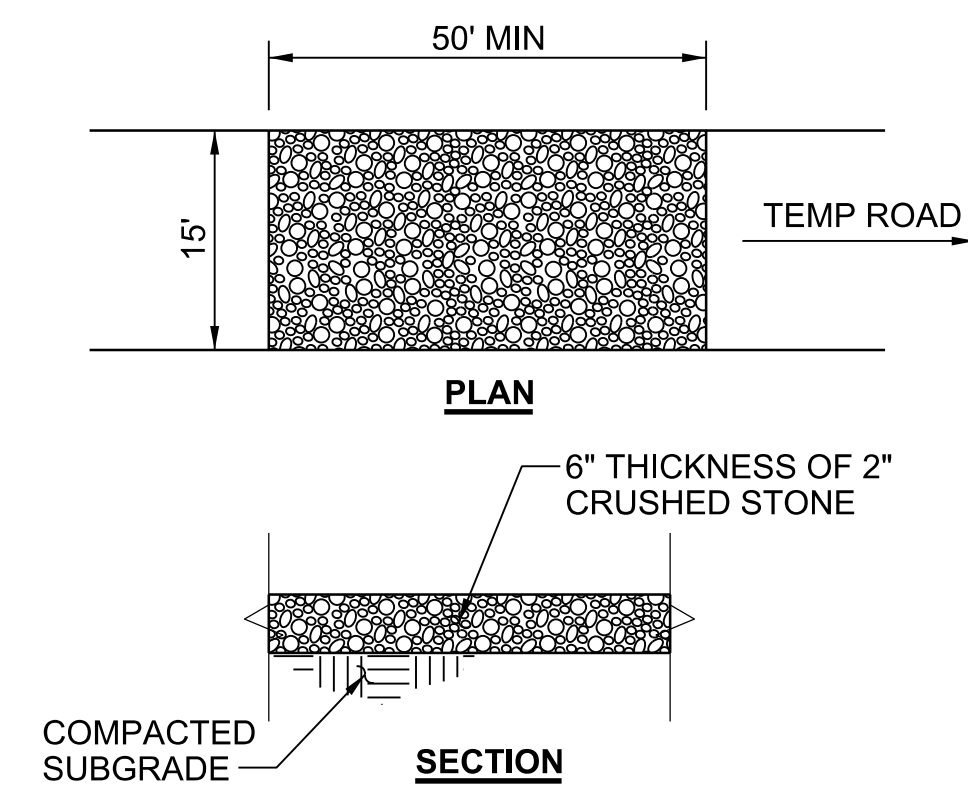
PERSPECTIVE VIEW
NOT TO SCALE



SILT FENCE TRENCH INSTALLATION DETAIL
NOT TO SCALE

CONSTRUCTION NOTES FOR FABRICATED SILT FENCE

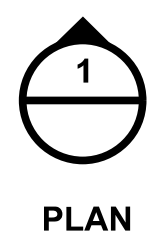
1. GEOTEXTILE FABRIC TO BE FASTENED SECURELY TO FENCE POSTS WITH STAPLES.
 2. WHEN TWO SECTIONS OF GEOTEXTILE FABRIC ADJOIN EACH OTHER THEY SHALL BE OVERLAPPED BY SIX INCHES AND FOLDED.
 3. MAINTENANCE SHALL BE PERFORMED AS NEEDED AND MATERIAL REMOVED WHEN "BULGES" DEVELOP IN THE SILT FENCE.
- POSTS: STEEL EITHER "T" OR "U" TYPE OR 2" HARDWOOD.
GEOTEXTILE FABRIC: FILTER X, MIRAFI 100X, STABILINKA T140N OR APPROVED EQUAL.



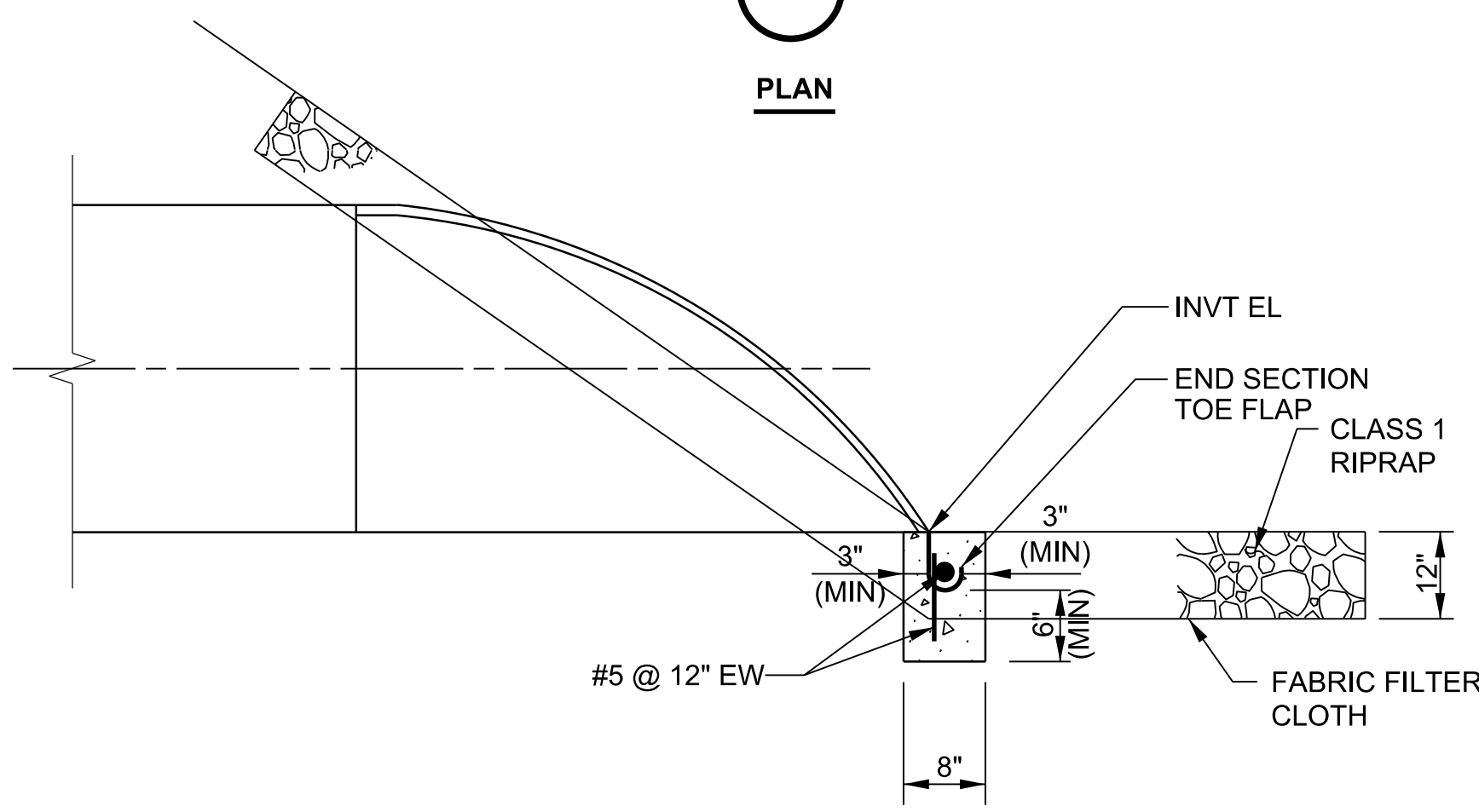
STABILIZED CONSTRUCTION ENTRANCE
NOT TO SCALE

NOTES: (STABILIZED CONSTRUCTION ENTRANCE)

1. STONE SIZE - USE 2" STONE, RECLAIMED OR RECYCLED CONCRETE EQUIVALENT.
2. LENGTH - NOT LESS THAN 50 FEET.
3. THICKNESS - NOT LESS THAN SIX (6) INCHES.
4. WIDTH - TWELVE (12) FOOT MINIMUM, BUT NOT LESS THAN THE FULL WIDTH AT POINTS WHERE INGRESS OR EGRESS OCCURS. TWENTY-FOUR (24) FOOT IF SINGLE ENTRANCE TO SITE.
5. GEOTEXTILE - WILL BE PLACED OVER THE ENTIRE AREA PRIOR TO PLACING OF STONE.
6. SURFACE WATER - ALL SURFACE WATER FLOWING OR DIVERTED TOWARD CONSTRUCTION ENTRANCES SHALL BE PIPED ACROSS THE ENTRANCE. IF PIPING IS IMPRACTICAL, A MOUNTABLE BERM WITH 5:1 SLOPES WILL BE PERMITTED.
7. MAINTENANCE - THE ENTRANCE SHALL BE MAINTAINED IN A CONDITION WHICH WILL PREVENT TRACKING OR FLOWING OF SEDIMENT ONTO CONSTRUCTION AREA. ALL SEDIMENT SPILLED, DROPPED, WASHED OR TRACKED ONTO PUBLIC RIGHTS-OF-WAY MUST BE REMOVED IMMEDIATELY.
8. WHEN WASHING IS REQUIRED, IT SHALL BE DONE ON AN AREA STABILIZED WITH STONE AND WHICH DRAINS INTO AN APPROVED SEDIMENT TRAPPING DEVICE.
9. PERIODIC INSPECTION AND MAINTENANCE SHALL BE PROVIDED AFTER EACH RAIN.



PLAN



ELEVATION

NOTES: (RIPRAPPED END SECTION)

1. VERTICAL REBAR SHALL EXTEND THROUGH END SECTION TOE FLAP.
2. PLACE RIPRAP AT ALL END SECTIONS UNLESS LOCATED IN A CONCRETE LINED DITCH.

RIPRAPPED END SECTION
NOT TO SCALE



FOR BID - NOT FOR CONSTRUCTION

THIS DOCUMENT IS RELEASED FOR BID, UNDER THE AUTHORITY OF RANDELL LEE SEDLACEK, P.E. 99096 ON 05/31/2024. IT IS NOT TO BE USED FOR CONSTRUCTION PURPOSES.

no.	date	by	ckd	description	no.	date	by	ckd	description
0	05/31/24	AJM		INITIAL ISSUE					

BURNS MEDONNELL
9400 WARD PARKWAY
KANSAS CITY, MO 64114
816-333-9400
Burns & McDonnell Engineering Co., Inc.
FIRM REG. NO. F-845

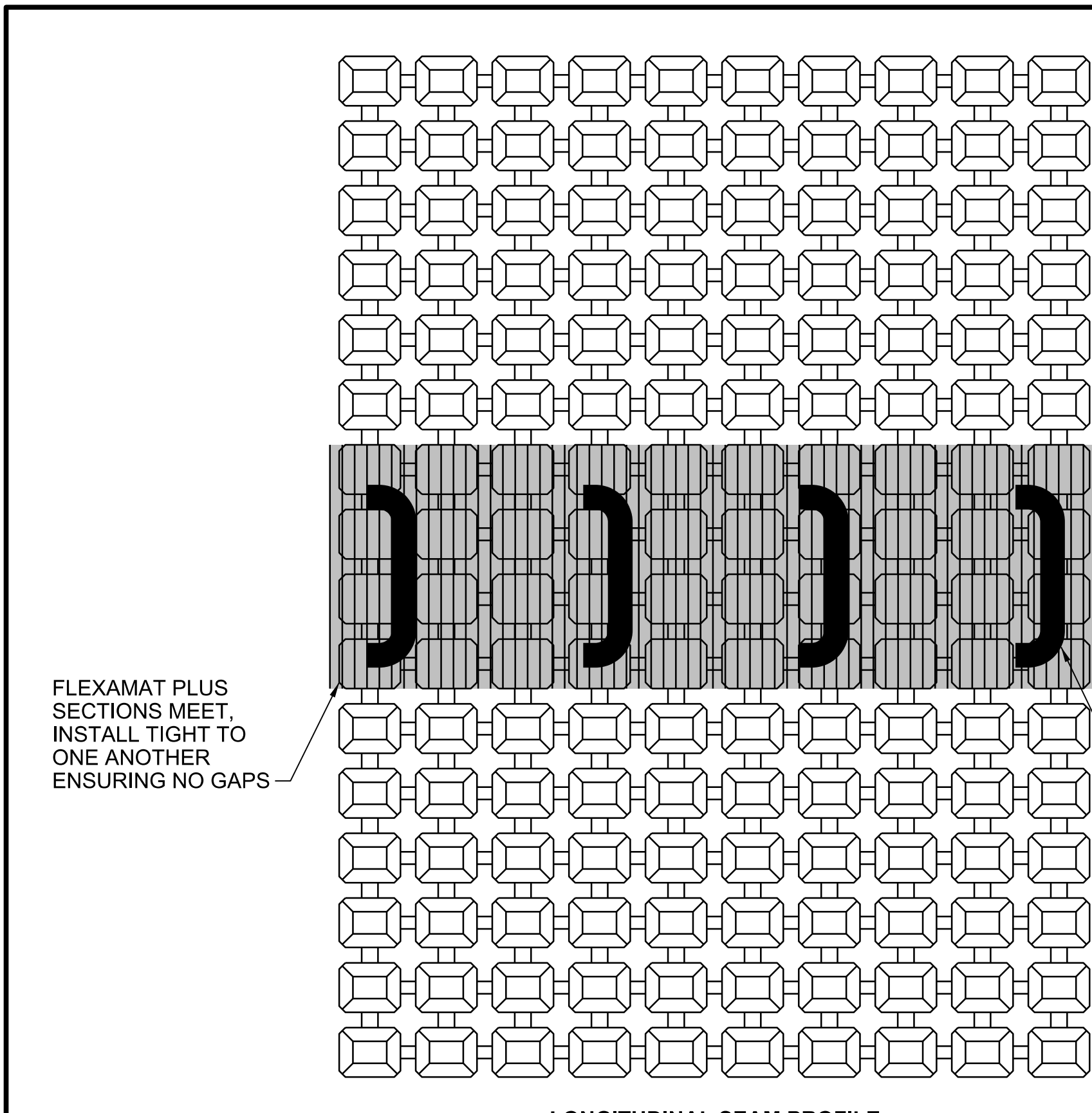
designed: M. BLEYTHING
detailed: S. NICHOLS

CPS ENERGY

J.K. SPRUCE POWER PLANT
BEXAR COUNTY, TEXAS

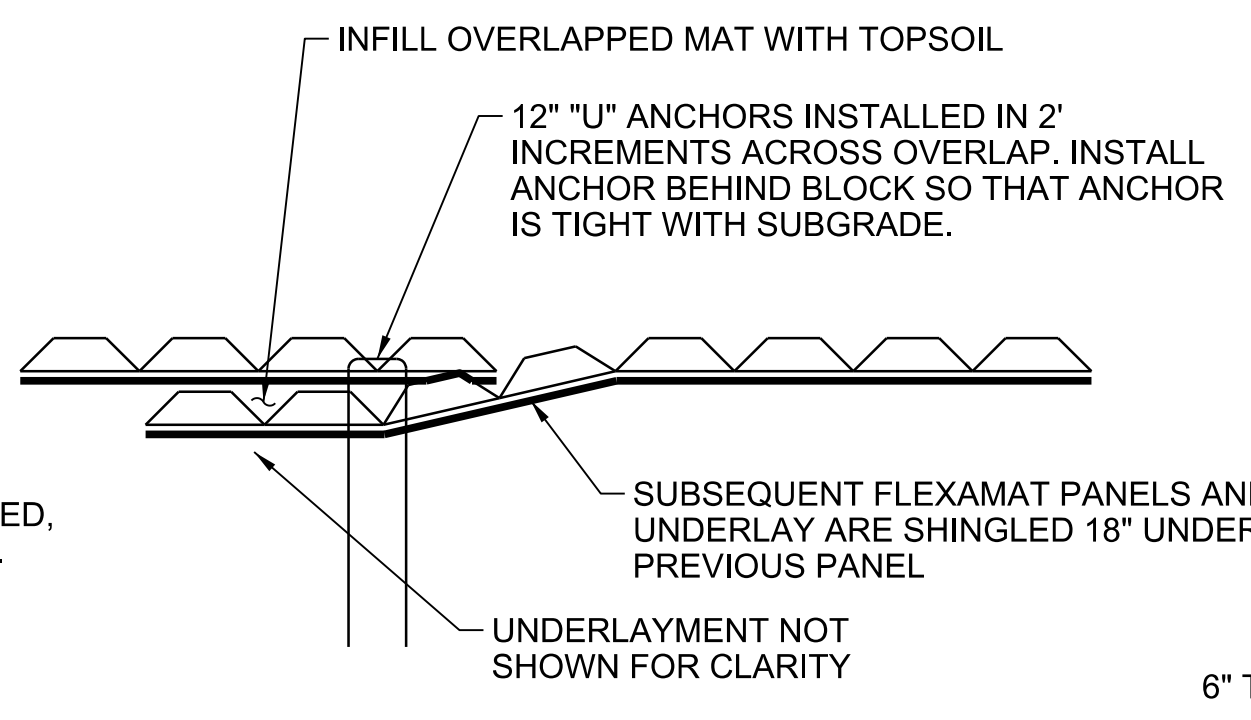
EVAPORATION POND CLOSURE DETAILS SHEET 1

project	116817	contract	
drawing	CG007	rev.	0
sheet	of	of	of
file	116817CG007.DGN	sheet	

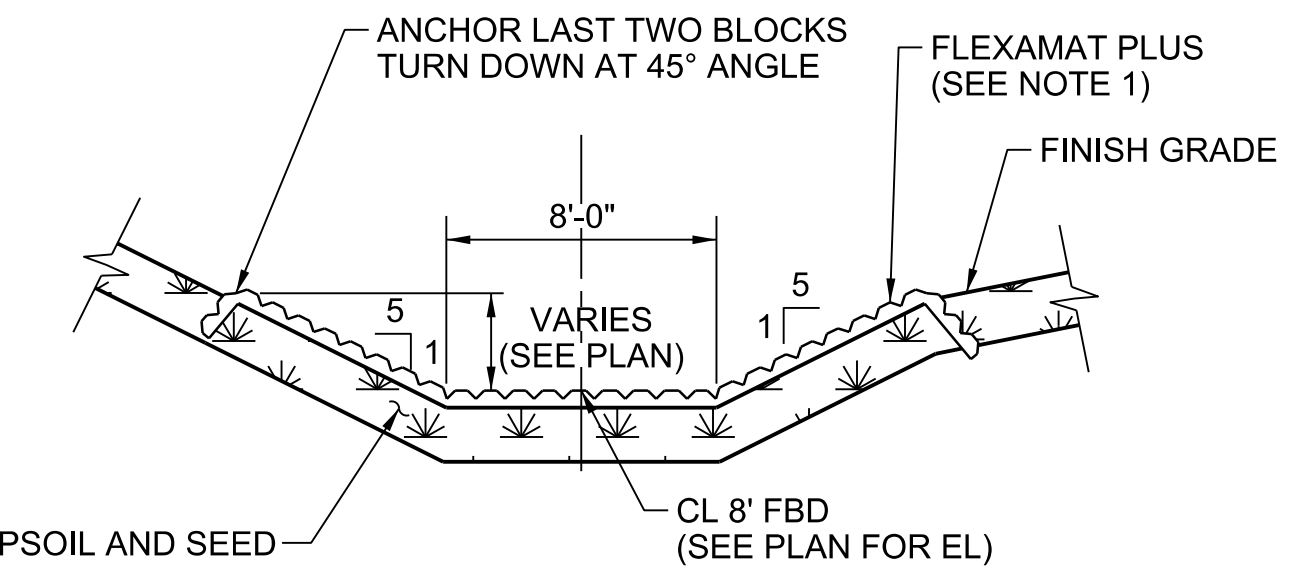


LONGITUDINAL SEAM PROFILE

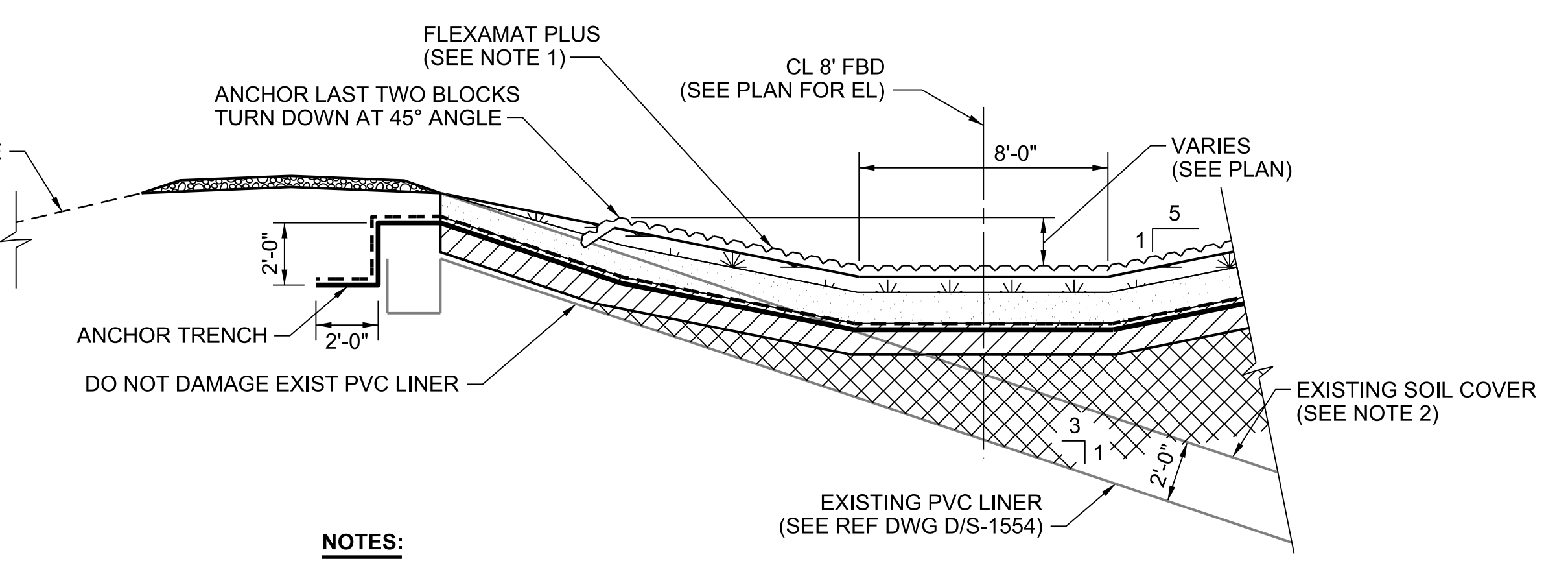
FLEXAMAT PLUS DETAILS
NOT TO SCALE



FLEXAMAT PERPENDICULAR OVERLAP DETAIL

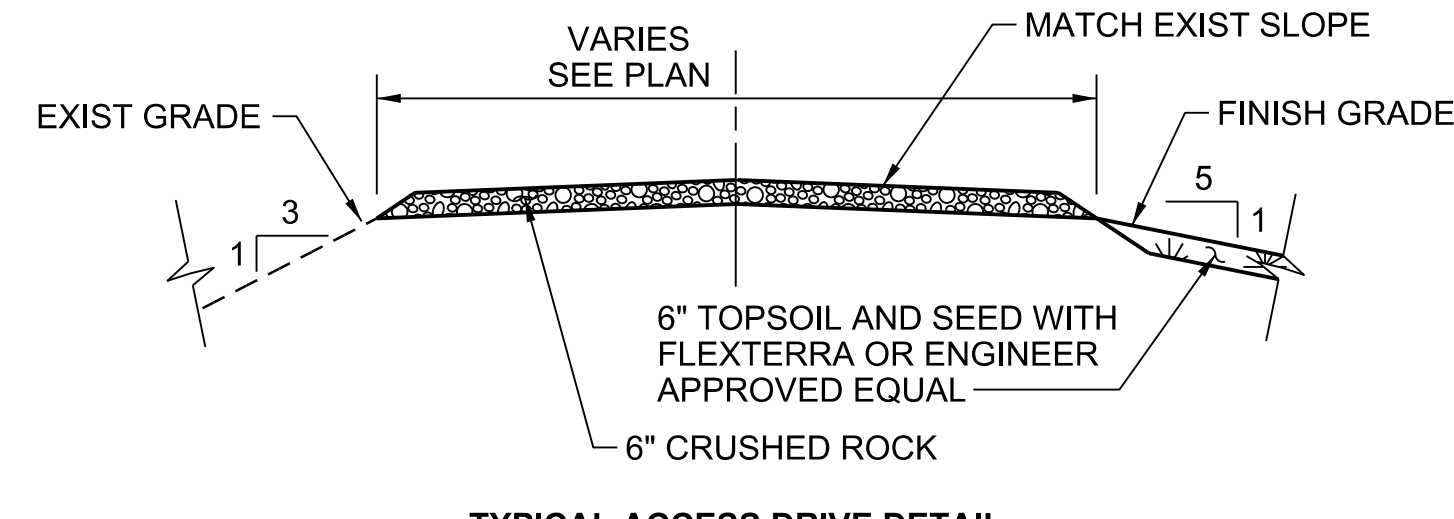


TYPICAL 8\"/> FBD WITH FLEXAMAT PLUS
NOT TO SCALE

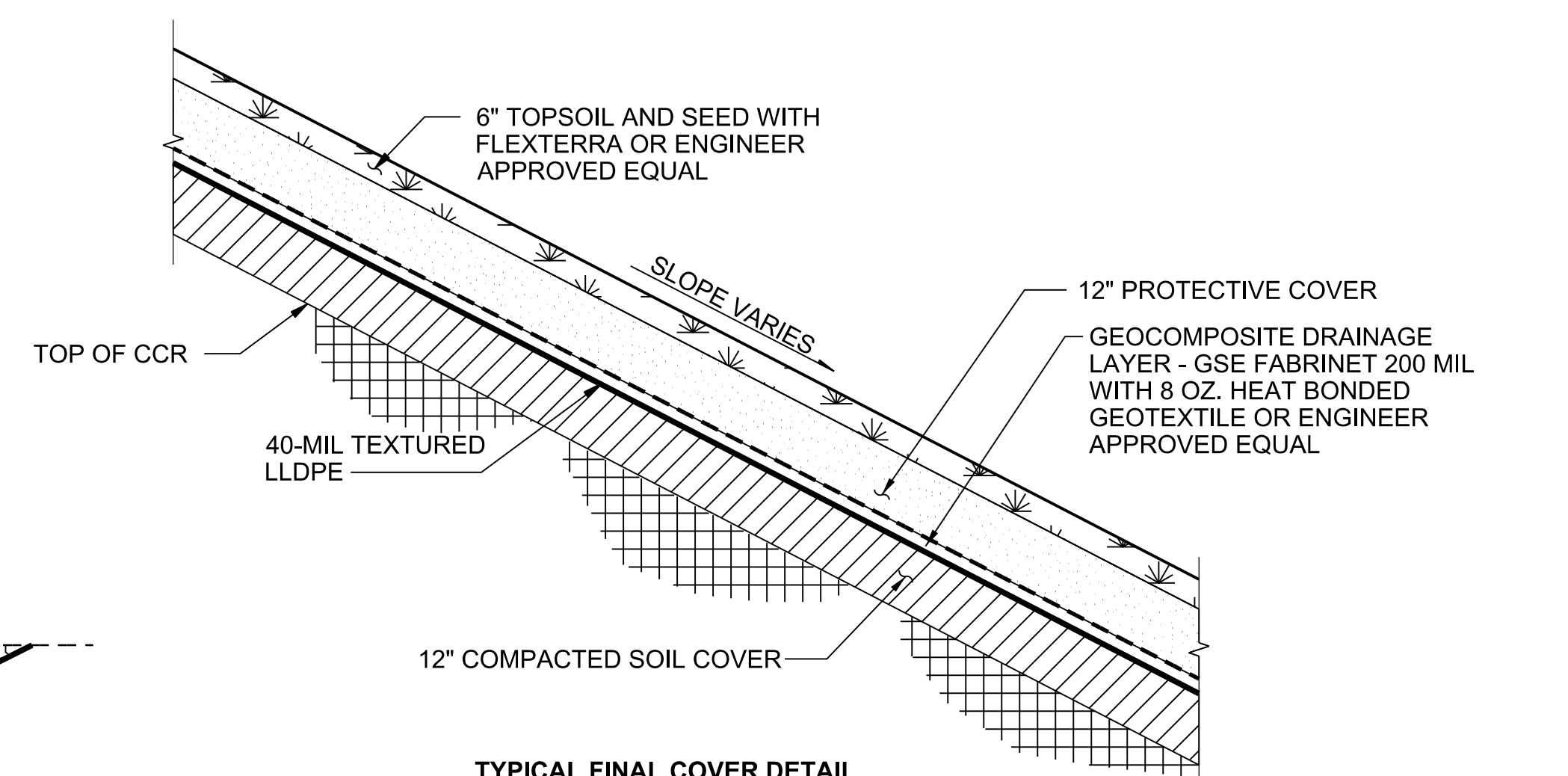


- NOTES:**
- SEE SURFACING PLAN CG003 FOR EXTENTS OF FLEXAMAT PLUS. INSTALL PER MANUFACTURER'S RECOMMENDATIONS AND PER DETAILS PROVIDED ON THIS DWG.
 - COMPANY SHALL FIELD VERIFY SOIL COVER THICKNESS AND DEPTH TO PVC LINER AND REPORT FINDINGS TO CPS ENERGY AND ENGINEER. SEE REF DWG D/S-1554.

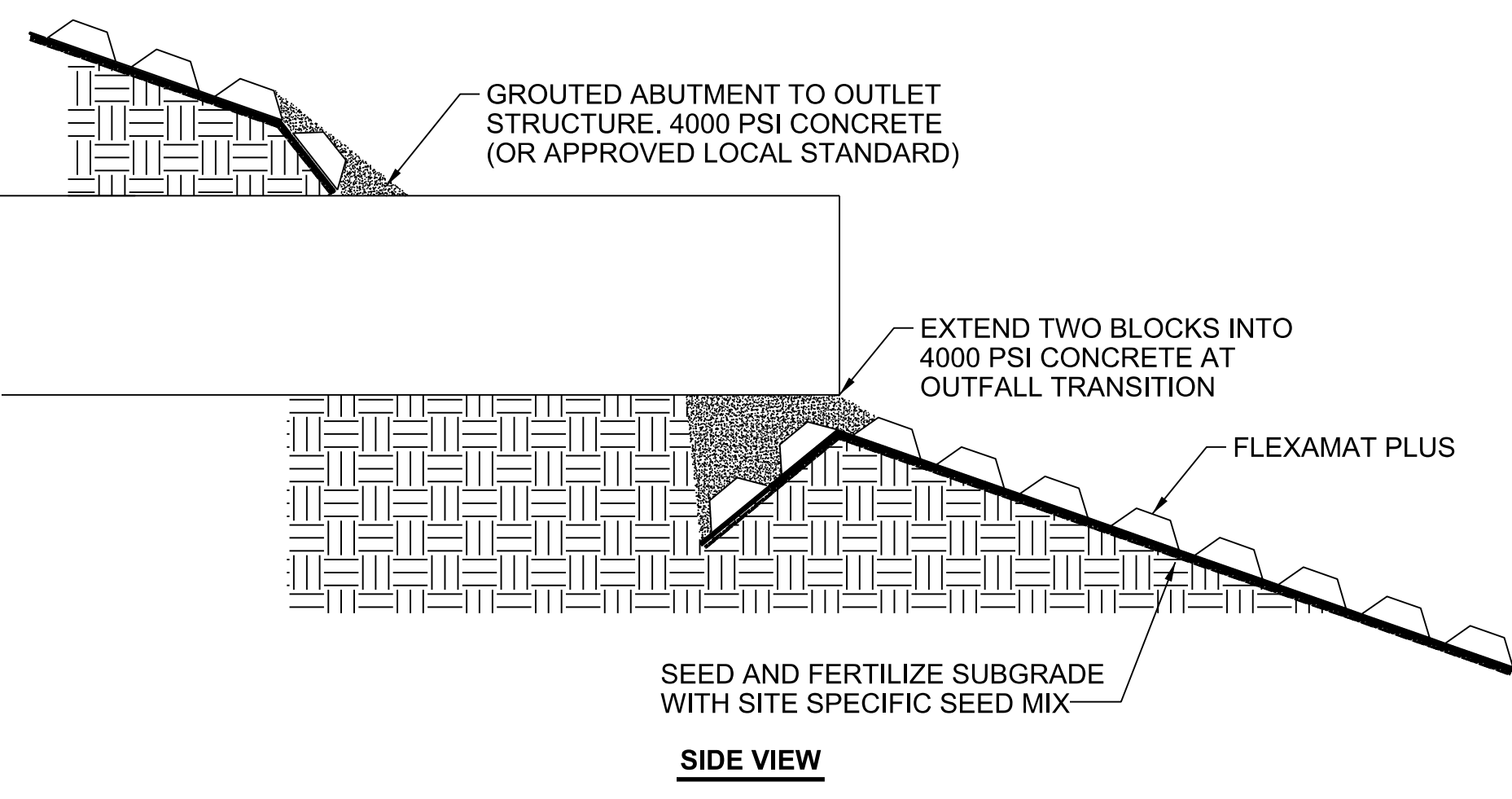
TYPICAL PERIMETER SECTION
NOT TO SCALE



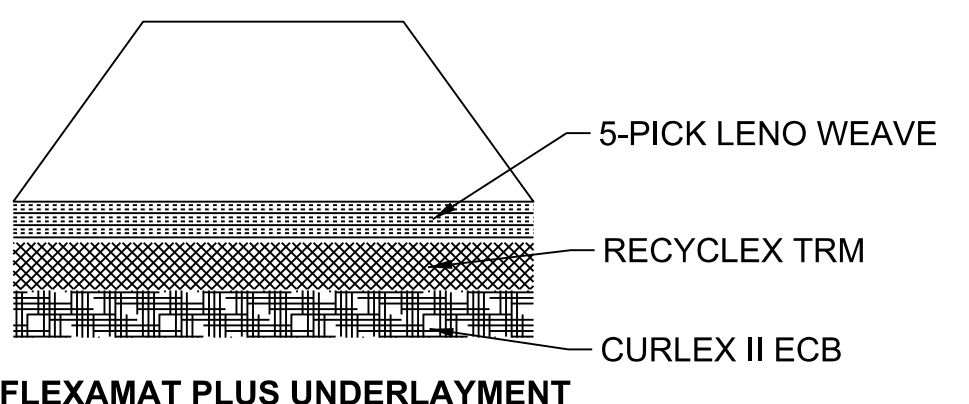
TYPICAL ACCESS DRIVE DETAIL
NOT TO SCALE



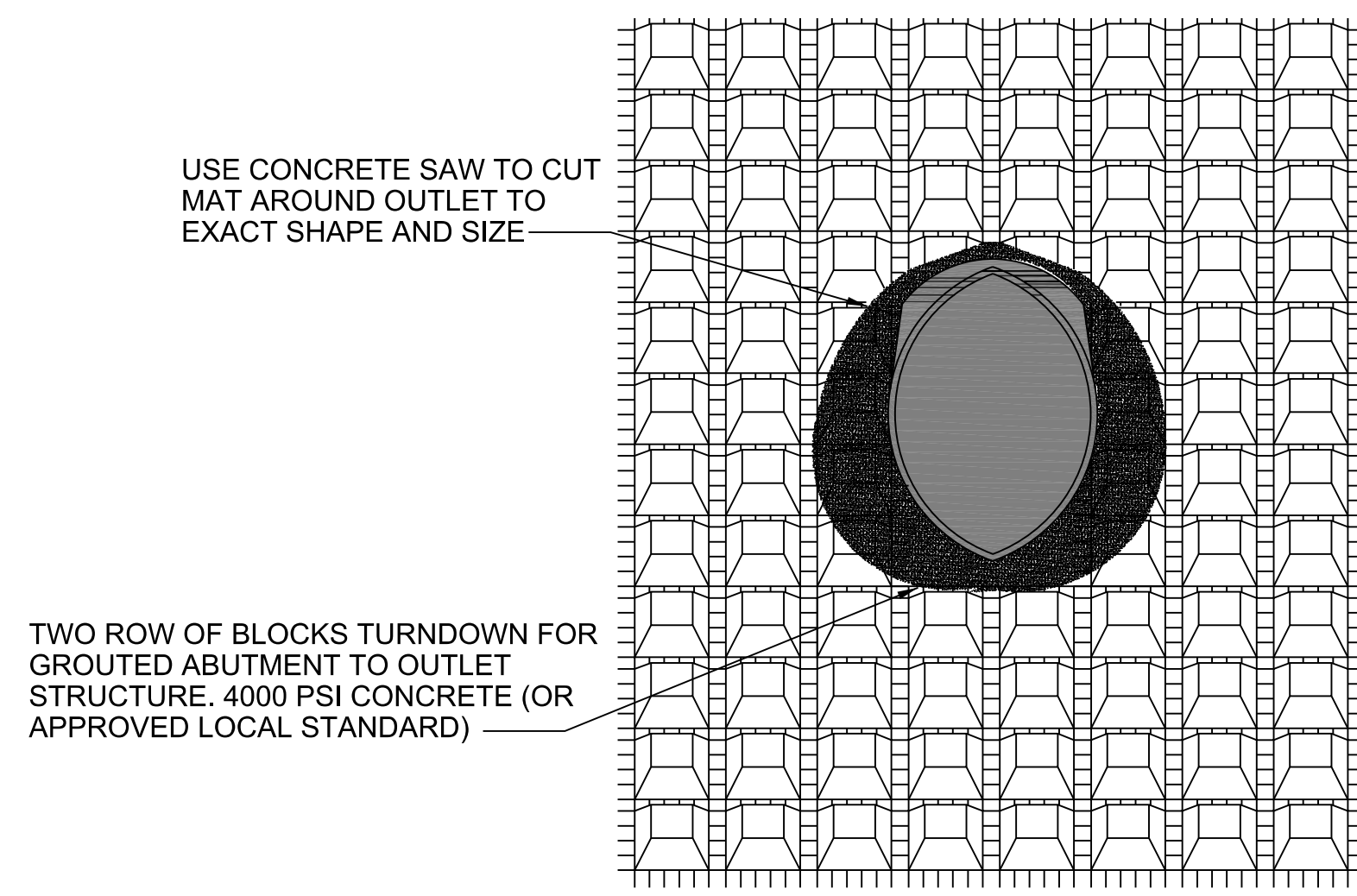
TYPICAL FINAL COVER DETAIL
NOT TO SCALE



SIDE VIEW

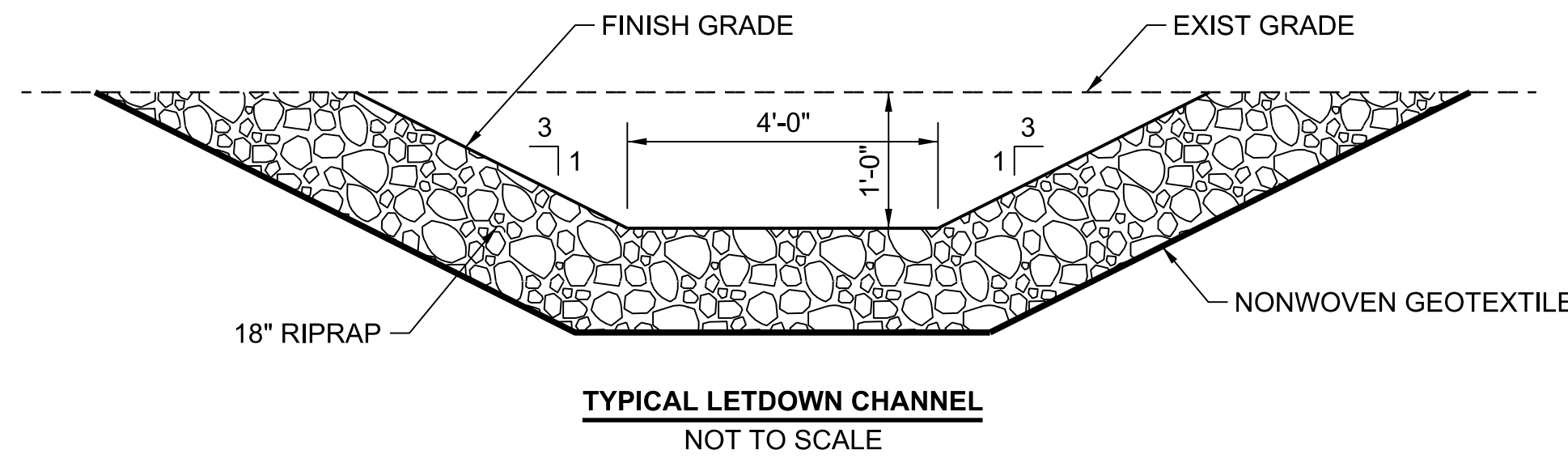


FLEXAMAT PLUS UNDERLAYMENT

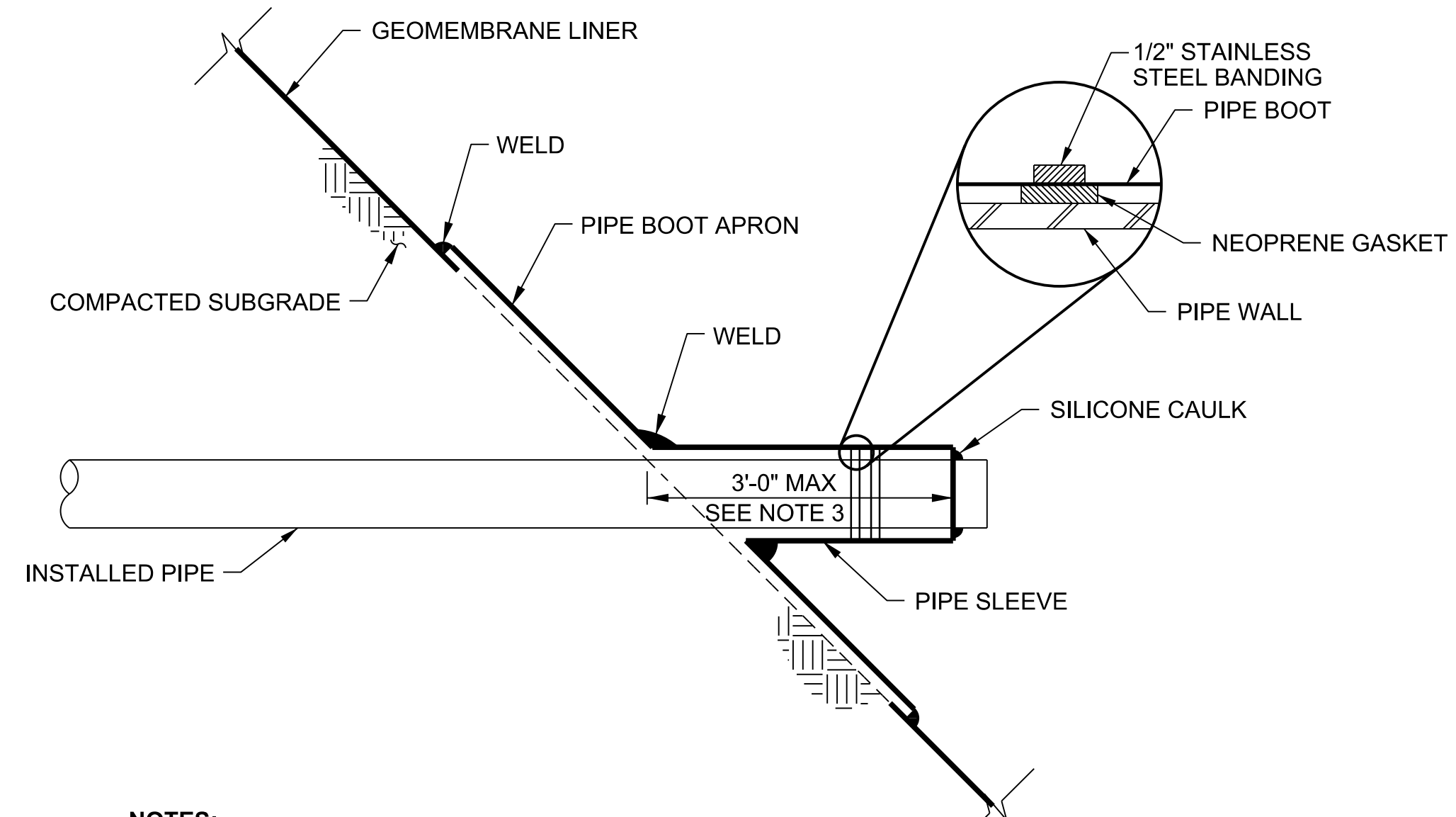


FRONT VIEW

FLEXAMAT PLUS - PIPE INLET ARMORING
NOT TO SCALE

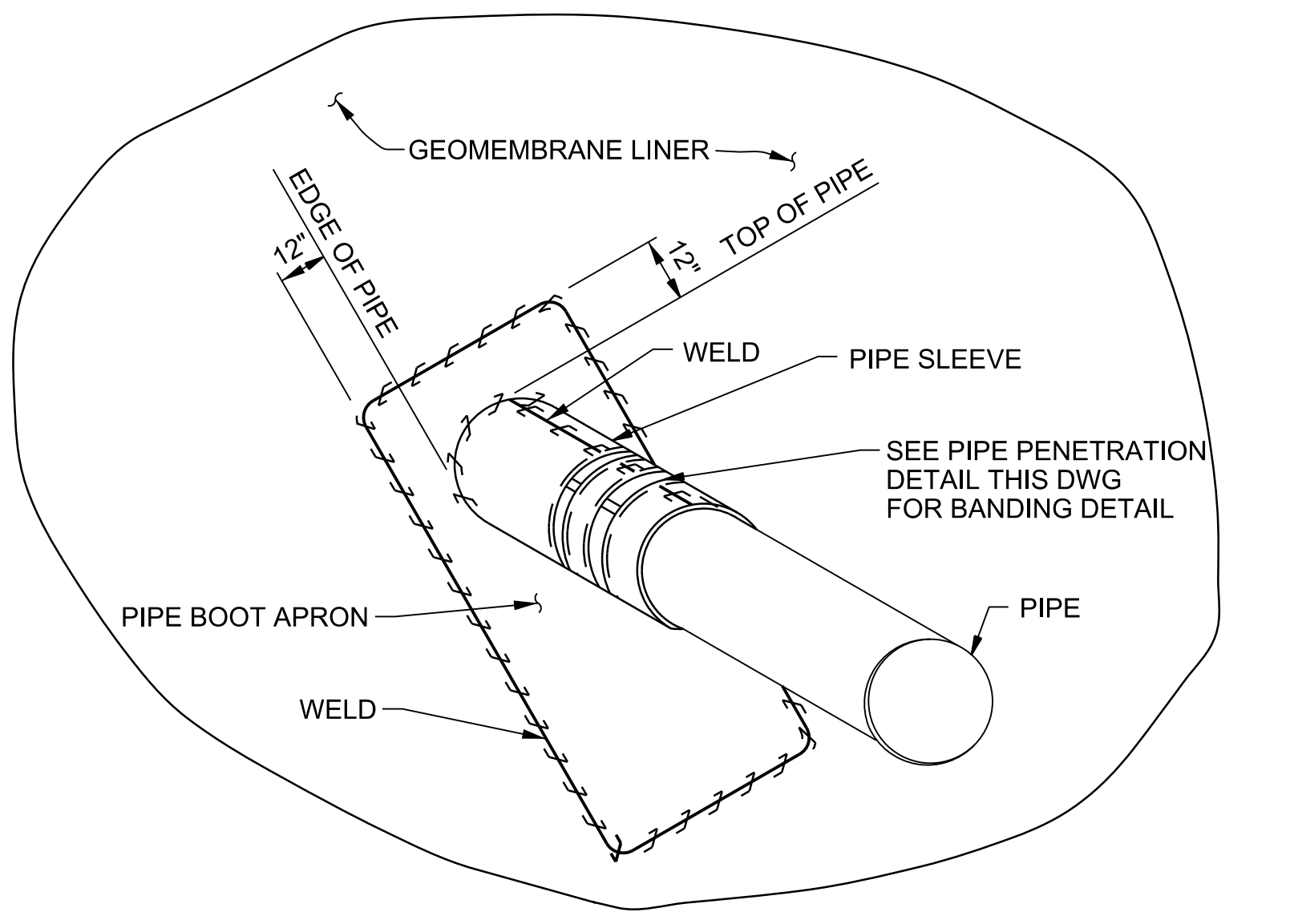


TYPICAL LETDOWN CHANNEL
NOT TO SCALE



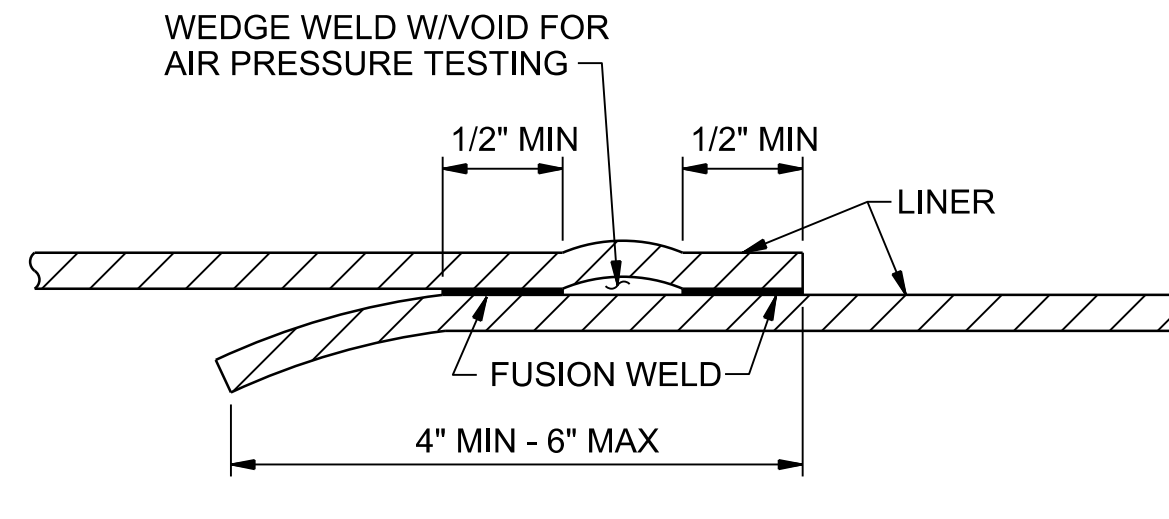
- NOTES:**
- SEE PIPE PENETRATION ISOMETRIC THIS DWG. FOR LIMITS OF PIPE BOOT APRON.
 - BOOT SHALL BE OF SAME MATERIAL AND THICKNESS AS MAIN LINER.
 - LINER COVER MATERIAL NOT SHOWN FOR THE SAKE OF CLARITY. SEE PLAN FOR LINER COVER REQUIREMENTS. NO LINER MATERIAL SHALL BE EXPOSED.

PIPE PENETRATION DETAIL
NOT TO SCALE

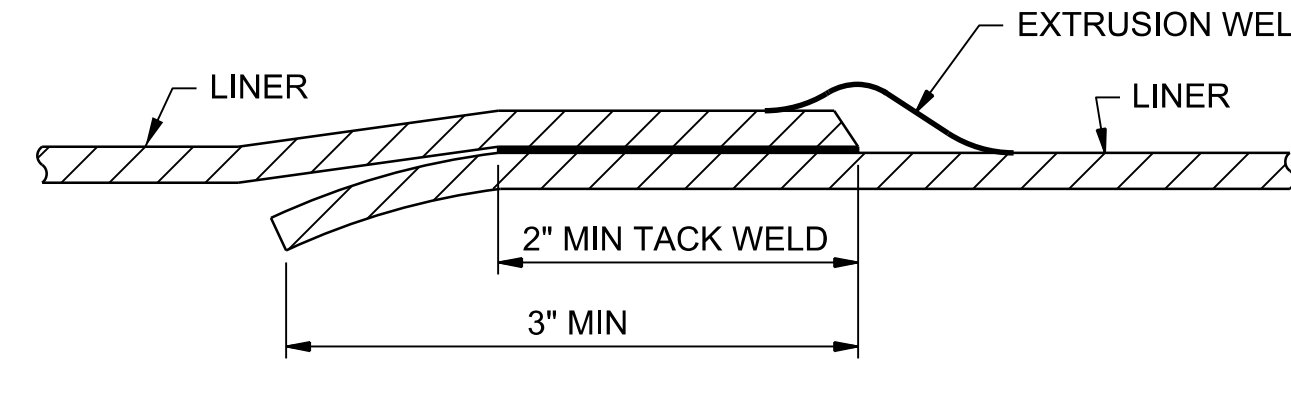


- NOTES:**
- BOOT SHALL BE OF SAME MATERIAL AND THICKNESS AS MAIN GEOMEMBRANE LINER.
 - SEE PLAN FOR LINER COVER REQUIREMENTS.
 - SEE PIPE PENETRATION DETAIL THIS DWG FOR LIMITS OF PIPE SLEEVE.

PIPE PENETRATION ISOMETRIC
NOT TO SCALE



TYPICAL DOUBLE FUSION WELD
NOT TO SCALE



NOTE: GRIND LINER PRIOR TO WELDING

TYPICAL EXTRUSION WELD
NOT TO SCALE

- NOTES:**
- ALL SUBGRADE SURFACES PREPARED FOR PLACEMENT OF MATS SHALL BE SMOOTH AND FREE OF ALL ROCKS, STICKS, ROOTS, OTHER PROTRUSIONS, OR DEBRIS OF ANY KIND. THE PREPARED SURFACE SHALL PROVIDE A FIRM UNYIELDING FOUNDATION FOR THE MATS.
 - PRIOR TO FLEXAMAT PLUS INSTALLATION SEED AND FERTILIZE SUBGRADE.
 - INSTALL FLEXAMAT ROLLS. AVAILABLE WIDTHS ARE 4', 5.5', 8', 10', 12', AND 16' AVAILABLE IN CUSTOM LENGTHS. FOR WIDTHS WIDER THAN 16', INSTALL 15.5' WIDE MAT WITH 12' GEOGRID EXTENSION AND 6' UNDERLAYMENT EXTENSION.
 - 3.1. WHERE POSSIBLE AVOID MAT SEAMS IN ARMORED AREA.
 - INSTALL FLEXAMAT OVER PIPE OUTFALL AND USE CONCRETE SAW TO CUT MAT TO FIT TIGHTLY AROUND OUTFALL PIPE.
 - USE 4000 PSI CONCRETE TO GROUT AROUND PIPE OUTFALL.



FOR BID - NOT FOR CONSTRUCTION

THIS DOCUMENT IS RELEASED FOR BID UNDER THE AUTHORITY OF RANDELL LEE SEDLACEK, P.E. 99056 ON 05/31/2024. IT IS NOT TO BE USED FOR CONSTRUCTION PURPOSES.

no.	date	by	ckd	description	no.	date	by	ckd	description
0	05/31/24	AJM		INITIAL ISSUE					

BURNS MCDONNELL
9400 WARD PARKWAY
KANSAS CITY, MO 64114
816-333-9400
Burns & McDonnell Engineering Co. Inc.
FIRM REG. NO. F-845

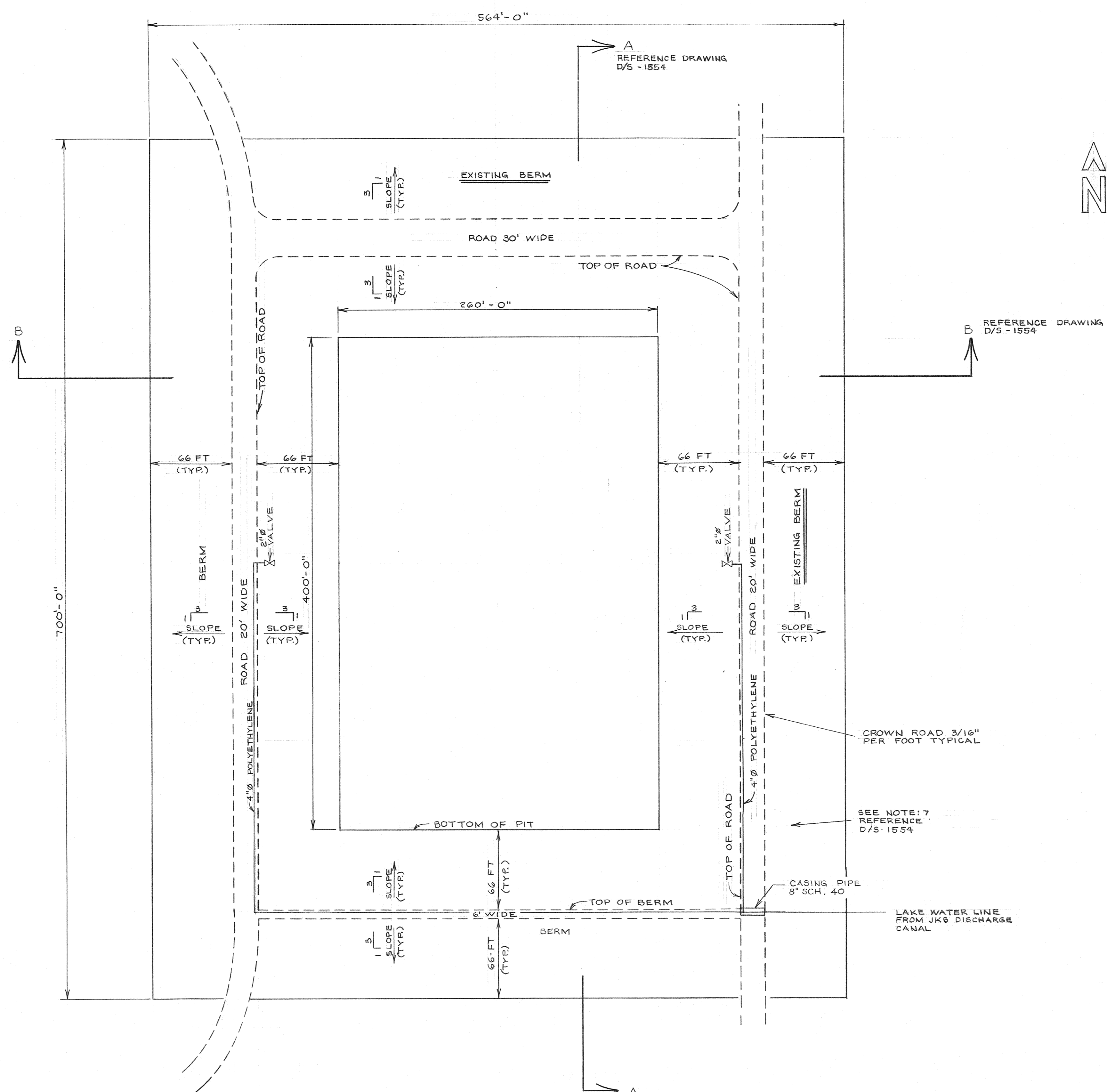
designed: M. BLEYTHING
detailed: S. NICHOLS

CPS ENERGY

J.K. SPRUCE POWER PLANT
BEXAR COUNTY, TEXAS

EVAPORATION POND CLOSURE DETAILS SHEET 2

project	116817	contract	
drawing	CG008	rev.	0
sheet		of	
file116817CG008.DGN			



- REFERENCE DRAWINGS
 1. D-CLOS-289-S002
 2. D/S 1554

CROWN ROAD 3/16" PER FOOT TYPICAL
 SEE NOTE: 7 REFERENCE D/S-1554

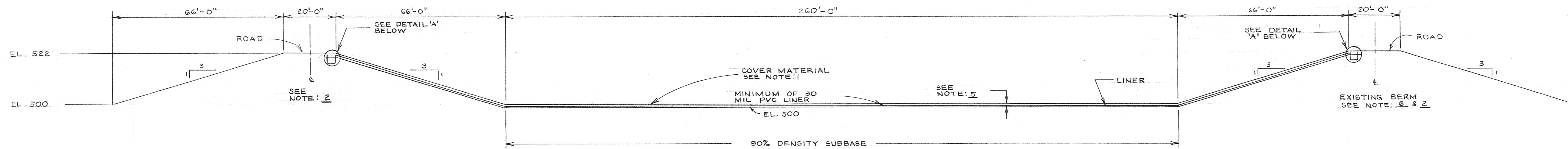
CASING PIPE 8" SCH. 40
 LAKE WATER LINE FROM JK6 DISCHARGE CANAL

J.T. DEELY/J.K. SPRUCE
 ASH DISPOSAL PIT # 4
 PLAN VIEW

CITY PUBLIC SERVICE
 SAN ANTONIO, TEXAS

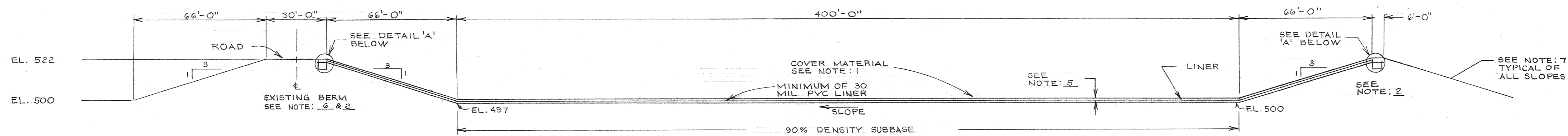
DRAWN: FRANK TOBAR DATE: 7/16/90
 CHECKED: DTS SCALE: 1" = 50'-0"
 APPROVED: DTS SHEET 1 OF 1

No.	DATE	REVISION	BY	CK'D	APP	SYSTEM	I.D.	DRAWING NUMBER	CODE
1	7-25-90	BID ISSUE	FT.	DEE	DTS			D/S - 1547	



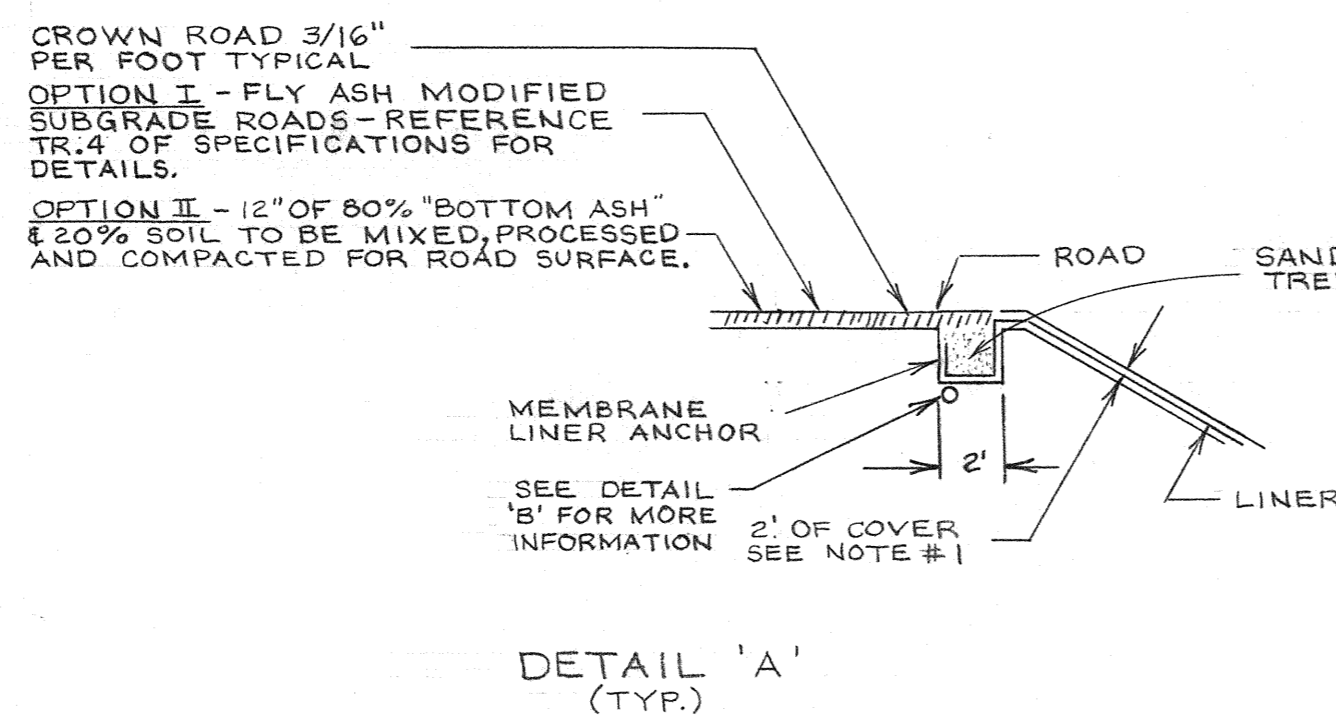
SECTION 'B-B'
— LOOKING NORTH —
SCALE: 1" = 20'-0"

REFERENCE DRAWINGS
1. D-CLOS-289-S002
2. D/S-1547

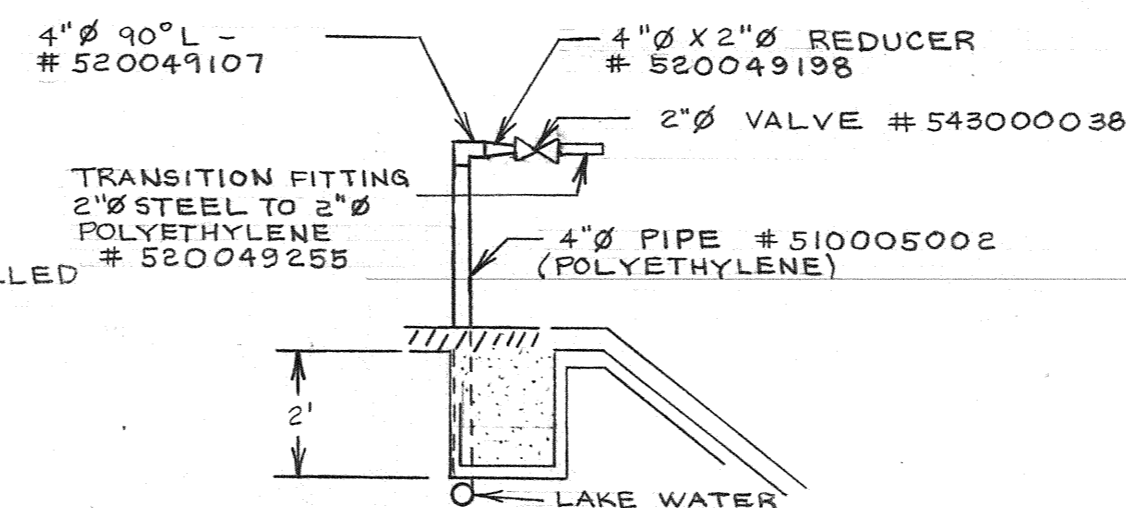


SECTION 'A-A'
— LOOKING EAST —
SCALE: 1" = 30'-0"

- NOTE:
- COVER MATERIAL SHALL BE COHESIVE SOILS FREE OF ALL ROCKS, ROOTS AND OTHER FOREIGN MATERIALS. THE COVER MATERIALS SHALL BE PLACED OVER THE LINER AS RECOMMENDED BY THE MANUFACTURER AND APPROVED BY CPS FIELD REPRESENTATIVE.
 - SUBGRADE COMPACTED TO 90% DENSITY
 - ROCKS THAT ARE LESS THAN 6" X 12" ARE ACCEPTABLE IN ALL BUT THE TOP TWO FEET OF THE BERM.
 - CONTRACTOR WILL BE REQUIRED TO WATER ALL EXTERNAL SLOPES FOR A PERIOD OF TWO MONTHS (DAILY) TO AID IN THE ESTABLISHMENT OF GRASS
 - REQUIREMENTS FOR SOIL COVER MATERIAL
 - PVC - 1 FT. OF THE TYPE OF SOIL STATED IN NOTE #1
 - HDPE - 4 IN. OF THE TYPE OF SOIL STATED IN NOTE #1
 - MOST OF THIS BERM IS EXISTING. THE CONTRACTOR WILL BE REQUIRED TO COMPLETE THE INSIDE SLOPES AND TO BRING THE EXISTING ROAD UP TO ELEVATION 522.
 - MIRAMAT "2400" OR TENSAR "NS3000" EROSION CONTROL AND REVEGETATION MAT SHALL BE INSTALLED ON EXTERNAL SLOPES, PER MANUFACTURE RECOMMENDATION. EROSION CONTROL MAT IS TO BE SUPPLIED AND INSTALLED BY CONTRACTOR. MAT IS TO BE COVER WITH A MINIMUM OF 1" OF TOP SOIL. ALL EXTERNAL SLOPES SHALL THEN BE SEED, FERTILIZED AND MULCHED BY CONTRACTOR PER SPECIFICATIONS.



DETAIL 'A'
(TYP.)



DETAIL 'B'
(TYP.)

NOTE: ALL PHILLIPS DRISCO POLYETHYLENE PIPE AND ACCESSORIES WILL BE FURNISHED FROM CPS STOCK AND INSTALLED THE CONTRACTOR.

J.T. DEELY / J.K. SPRUCE
ASH DISPOSAL PIT # 4
ELEVATION VIEWS

CITY PUBLIC SERVICE
SAN ANTONIO, TEXAS

DRAWN: FRANK TOBAR	DATE: 7/16/90
CHECKED: DTS	SCALE: SHOWN
APPROVED: DTS	SHEET 1 OF 1
SYSTEM	I.D.
D/S - 1554	DRAWING NUMBER
	CODE

1	7-25-90	BID ISSUE	FT.	DTS	DTS
No.	DATE	REVISION	BY	CK'D	APP